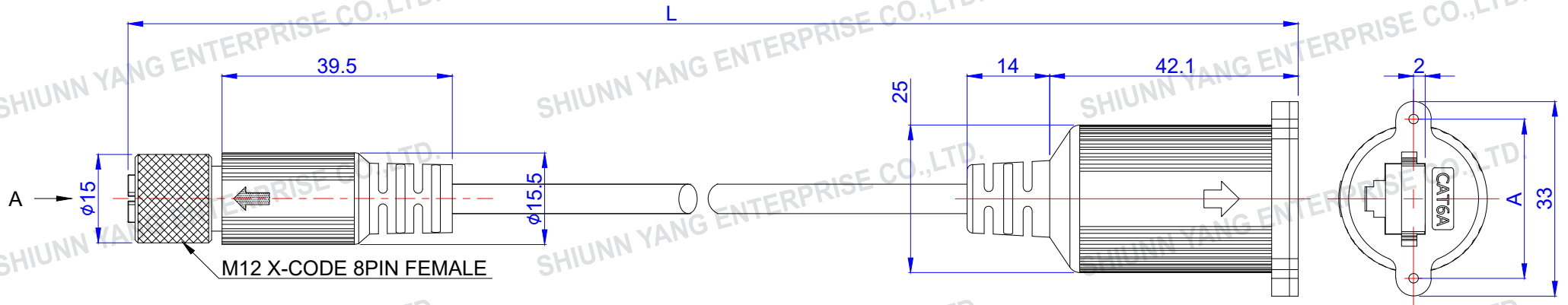


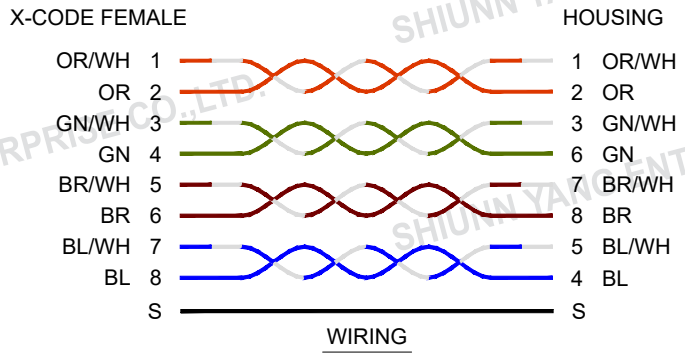
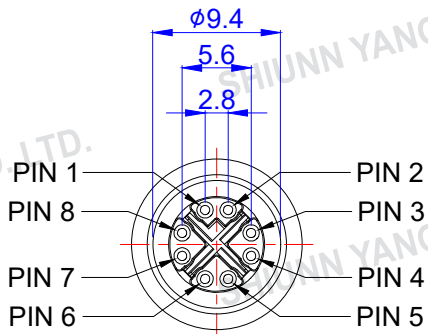
ROHS Compliant

Date	2023/10/05
Revision	A



**ELECTR SPECIFICATION:**  
 RATED CURRENT : 0.5A  
 RATED VOLTAGE : 48V  
 WATER PROOD : IP67

**ENVIRONMENTAL :**  
 INSTALLATION TEMPERATURE 0°C~ 60°C  
 STORAGE TEMPERATURE -40°C~ 90°C  
 OPERATION TEMPERATURE -20°C~70°C



A : M12 X-CODE 8PIN FEMALE

A
20 mm
25 mm
27 mm

TOLERANCE	
.XXX	0.10
.XX	0.25
.X	0.38

TECHNICAL DATA

CABLE	S/FTP CAT6A 4P 26AWG STRANDED CABLE BLACK IN TPU JACKET
M12 X-CODE FEMALE	MOLDED HOOD: PVC 60% BLACK, IP67, 10u"
	HOUSING:PA66 UL94V-0 BLACK ; CONTACT:BRASS ; NUT:BRASS ; O-RING:EPDM BLACK ; X-SHELL : Zn ALLOY
	FINISH : CONTACT:GOLD PLATED ; UNDER PLATE:NICKEL ; NUT:NICKEL PLATED ; X-SHELL:NICKEL PLATED
HOUSING	PVC BLACK A : <input type="checkbox"/> 20mm <input type="checkbox"/> 25mm <input type="checkbox"/> 27mm

P/NO. M12X-FXXJ-XX-SF6A

ITEM. M12 X-code	CO. SY	FILE. M12X-FXXJ-XX-SF6A
DR.	APPD. Sweet 2023/10/05	CHKD.



Shiunn Yang Ent.Co.Ltd.  
 TEL: 29089890 <REP>  
 FAX: 29088679

S/N. M12X-FXXJ-XX-SF6A
SCALE /
UNIT mm SIZE A4

REV.	DESCRIPTION	ENG.	APPROVAL
------	-------------	------	----------