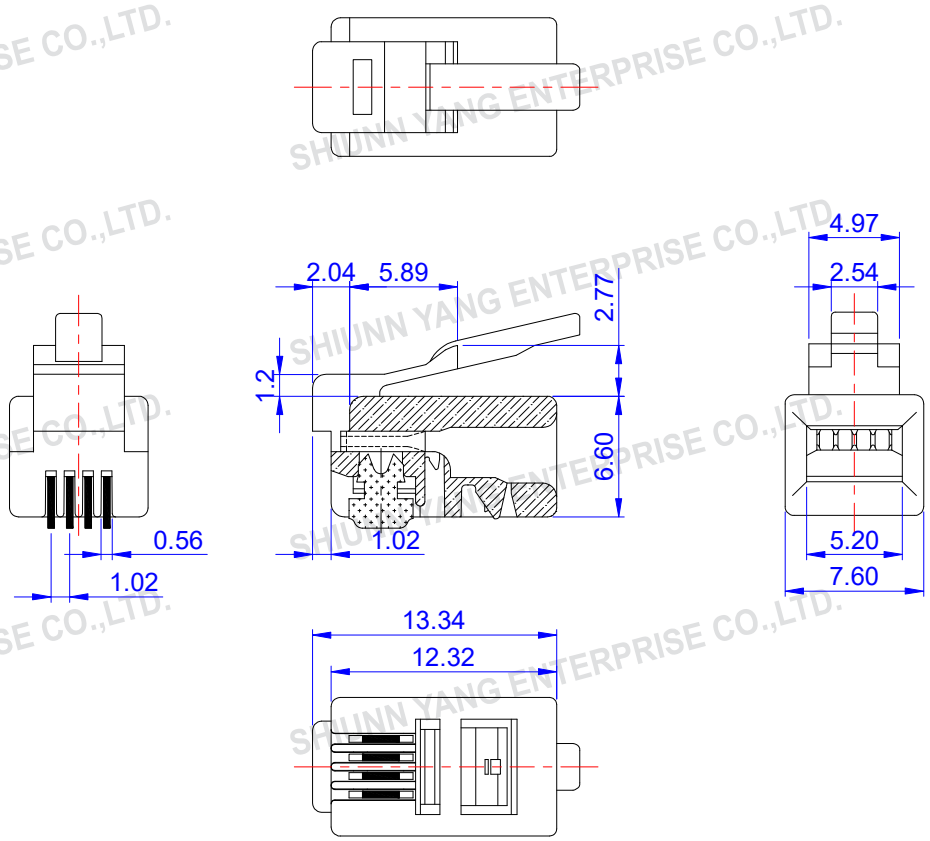



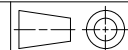
1 ROHS Compliant

7 DATE	2022/02/25
Revision	A



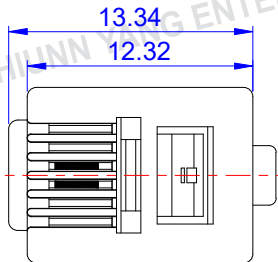
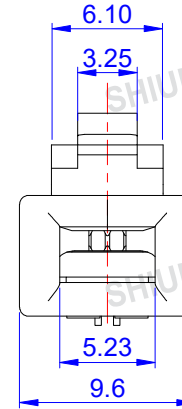
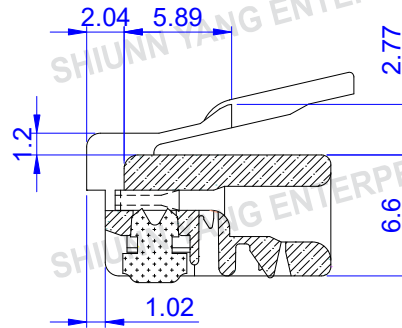
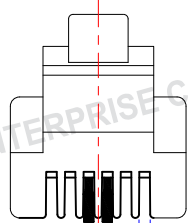
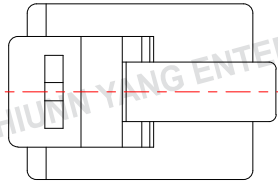
TOLERANCE	
.XXX	0.10
.XX	0.25
.X	0.38

MATERIAL				
HOUSING	<input checked="" type="checkbox"/> PC UL94V-0 <input type="checkbox"/> PC UL94V-2	TYPE OF PLUG	<input type="checkbox"/> SHIELD <input checked="" type="checkbox"/> UNSHIELD	
CONTACT	PHOSPHOR BRONZE FINE GOLD	COLD-PLATING	<input type="checkbox"/> 0.15U M/6U" MINIMUM <input type="checkbox"/> 0.38U M/15U"MINIMUM	
	PLATED OVER NICKEL		<input type="checkbox"/> 0.76U M/30U"MINIMUM <input type="checkbox"/> 1.27U M/50U"MINIMUM	
APPLICATION	<input checked="" type="checkbox"/> 4P4C <input type="checkbox"/> 6P2C <input type="checkbox"/> 6P4C <input type="checkbox"/> 6P6C <input type="checkbox"/> 8P8C			
REV.	DESCRIPTION	ENG.	APPROVAL	

<b>ITEM. PMH00404</b>	
P/NO. Modular Plug	CO. SY S/N. PMH00404
DR.	APPD. Sweet 2022/02/25 CHKD.
 Shiunn Yang Ent.Co.Ltd. TEL: 29089890 <REP> FAX: 29088679	FILE. PMH00404
	SCALE / 
	UNIT mm SIZE A4


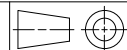
1 ROHS Compliant

7 DATE	2022/02/25
Revision	A



TOLERANCE	
.XXX	0.10
.XX	0.25
.X	0.38

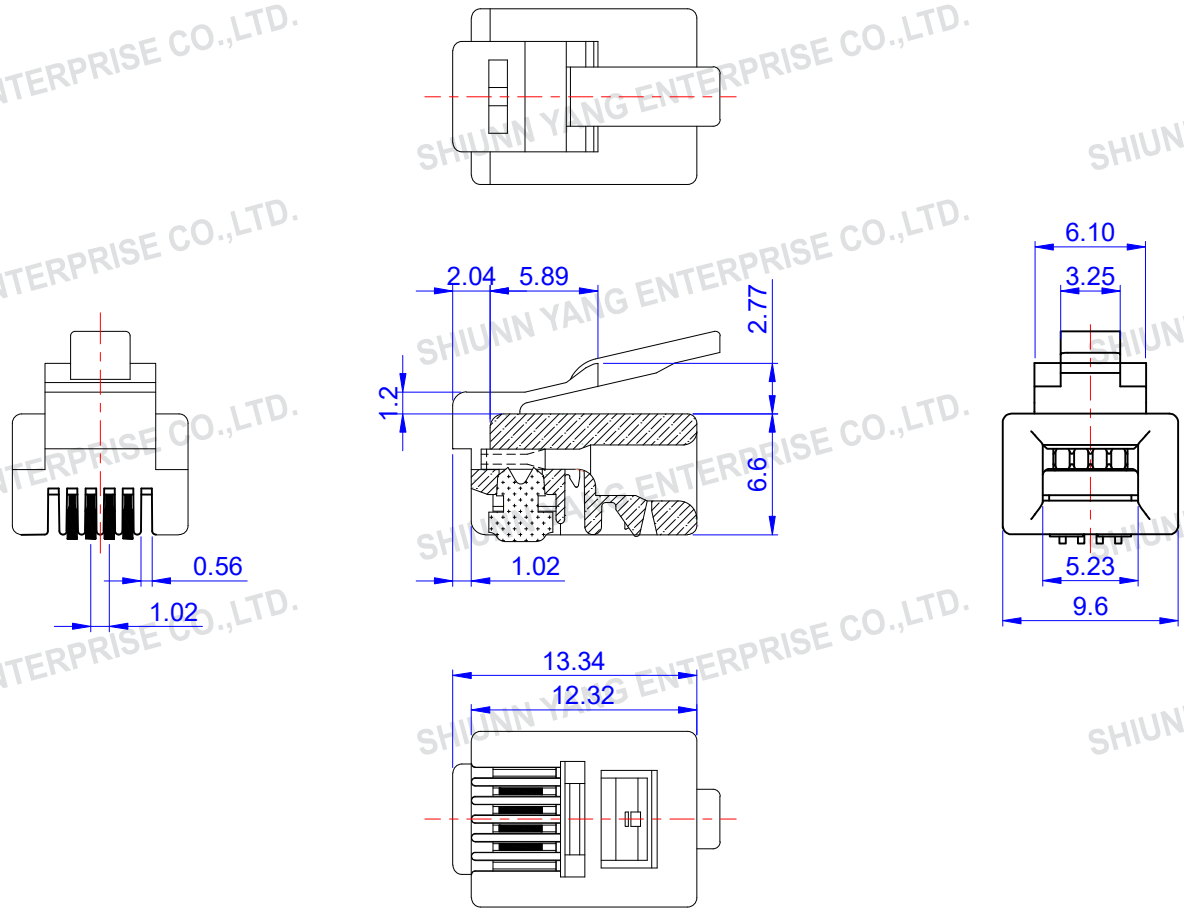
MATERIAL			
HOUSING	<input checked="" type="checkbox"/> PC UL94V-0 <input type="checkbox"/> PC UL94V-2	TYPE OF PLUG	<input type="checkbox"/> SHIELD <input checked="" type="checkbox"/> UNSHIELD
CONTACT	PHOSPHOR BRONZE FINE GOLD	COLD-PLATING	<input type="checkbox"/> 0.15U M/6U" MINIMUM <input type="checkbox"/> 0.38U M/15U"MINIMUM
	PLATED OVER NICKEL		<input type="checkbox"/> 0.76U M/30U"MINIMUM <input type="checkbox"/> 1.27U M/50U"MINIMUM
APPLICATION	<input type="checkbox"/> 4P4C <input checked="" type="checkbox"/> 6P2C <input type="checkbox"/> 6P4C <input type="checkbox"/> 6P6C <input type="checkbox"/> 8P8C		

<b>ITEM. PMP00602</b>	
P/NO. Modular Plug	CO. SY S/N. PMP00602
DR.	APPD. Sweet 2022/02.25 CHKD.
 Shiunn Yang Ent.Co.Ltd. TEL: 29089890 <REP> FAX: 29088679	FILE. PMP00602
	SCALE / 
	UNIT mm SIZE A4

REV.	DESCRIPTION	ENG.	APPROVAL
1	2	3	4


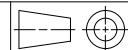
1 ROHS Compliant

7 DATE	2022/02/25
Revision	A



TOLERANCE	
.XXX	0.10
.XX	0.25
.X	0.38

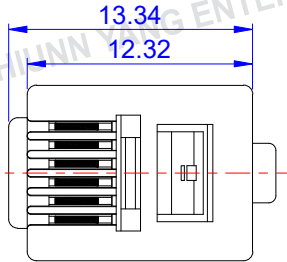
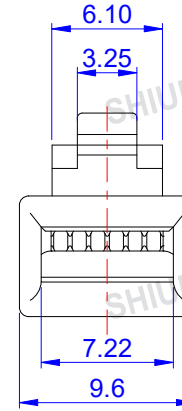
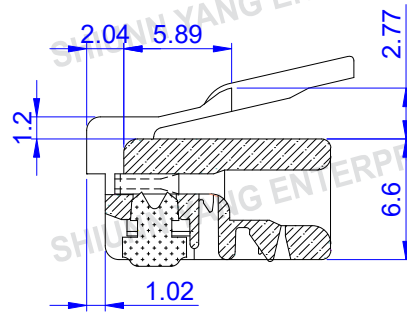
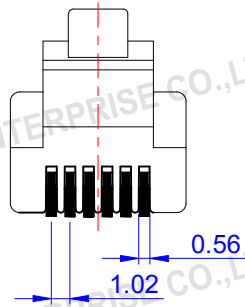
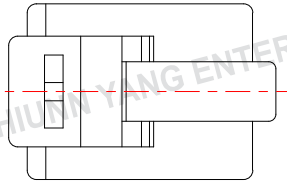
MATERIAL				
HOUSING	<input checked="" type="checkbox"/> PC UL94V-0 <input type="checkbox"/> PC UL94V-2	TYPE OF PLUG	<input type="checkbox"/> SHIELD <input checked="" type="checkbox"/> UNSHIELD	
CONTACT	PHOSPHOR BRONZE FINE GOLD	COLD-PLATING	<input type="checkbox"/> 0.15U M/6U" MINIMUM <input type="checkbox"/> 0.38U M/15U" MINIMUM	
	PLATED OVER NICKEL		<input type="checkbox"/> 0.76U M/30U" MINIMUM <input type="checkbox"/> 1.27U M/50U" MINIMUM	
APPLICATION	<input type="checkbox"/> 4P4C <input type="checkbox"/> 6P2C <input checked="" type="checkbox"/> 6P4C <input type="checkbox"/> 6P6C <input type="checkbox"/> 8P8C			

ITEM. PMP00604	
P/NO. Modular Plug	CO. SY S/N. PMP00604
DR.	APPD. Sweet 2022/02/25 CHKD.
 Shiunn Yang Ent.Co.Ltd. TEL: 29089890 <REP> FAX: 29088679	
FILE. PMP00604	SCALE / 
UNIT mm	SIZE A4

REV.	DESCRIPTION	ENG.	APPROVAL
1	2	3	4


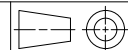
1 ROHS Compliant

7 DATE	2022/02/25
Revision	A



TOLERANCE	
.XXX	0.10
.XX	0.25
.X	0.38

MATERIAL				
HOUSING	<input checked="" type="checkbox"/> PC UL94V-0 <input type="checkbox"/> PC UL94V-2	TYPE OF PLUG	<input type="checkbox"/> SHIELD <input checked="" type="checkbox"/> UNSHIELD	
CONTACT	PHOSPHOR BRONZE FINE GOLD	COLD-PLATING	<input type="checkbox"/> 0.15U M/6U" MINIMUM <input type="checkbox"/> 0.38U M/15U" MINIMUM	
	PLATED OVER NICKEL		<input type="checkbox"/> 0.76U M/30U" MINIMUM <input type="checkbox"/> 1.27U M/50U" MINIMUM	
APPLICATION	<input type="checkbox"/> 4P4C <input type="checkbox"/> 6P2C <input type="checkbox"/> 6P4C <input checked="" type="checkbox"/> 6P6C <input type="checkbox"/> 8P8C			
REV.	DESCRIPTION	ENG.	APPROVAL	

ITEM. PMP00606	
P/NO. Modular Plug	CO. SY
DR.	S/N. PMP00606
APPD. Sweet 2022/02/25	
CHKD.	
FILE. PMP00606	
 Shiunn Yang Ent.Co.Ltd. TEL: 29089890 <REP> FAX: 29088679	
SCALE /	
UNIT mm	SIZE A4