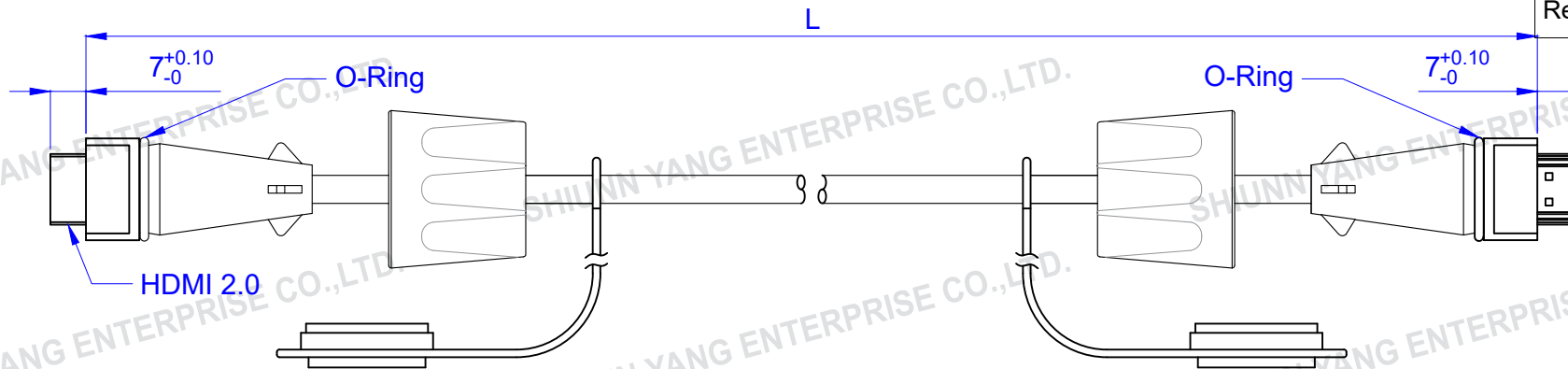


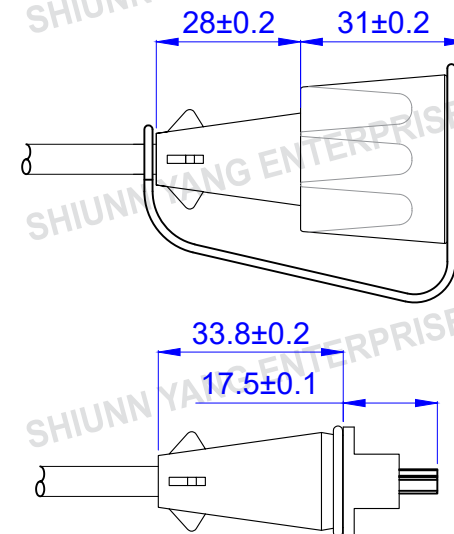
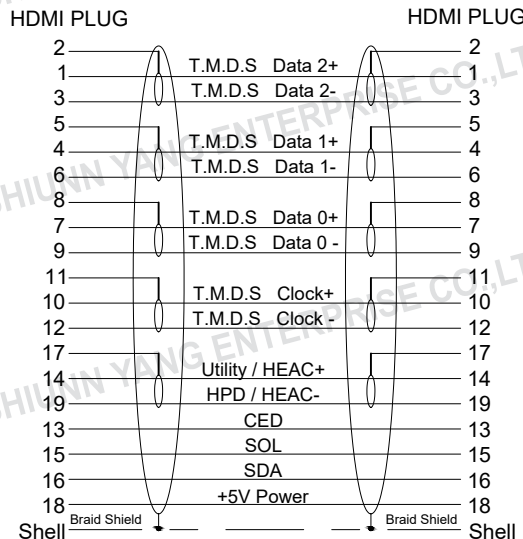
ROHS Compliant

DATE 2020/10/28

Revision B



CONNECTION



PCHYSICAL CHARACTERISTICS

OPERATING TEMPERATURE RANGE : -24°C TO 85°C
HUMIDITY : 10%-90%RH.

ELECTRIC TESTING

100% OPEN & SHORT TESTING.
INULATION RESISTANCE : 20 MΩ.
CONDUCTOR RESISTANCE : 3 Ω.
VOLTAGE : 300V DC/0.1S.

NOTE

HDMI 2.0

IP68

ACCORDING TO IEC 60529
Degrees of Protection Provided by Enclosures
6:Dust-tight
8:Protected from immersion in water for 60 minutes
at a depth of 1.5 meter.

MATERIAL

CABLE SPEC	HDMI CABLE {(30AWGx2C+EAM)x5P+30AWGx4C}+AL/MY+Braid
HOOD	PVC 50P,UL94V-0
DUSTPROOF CAP	PVC
O-RING	EPDM
SCREW	PBT+GF,UL94V-0

P/NO. SY-HDMI-X-BK-WP

ITEM.	CO. SY	S/N. SY-HDMI-X-BK-WP
DR.	APPD. Sweet 2020/10/28	CHKD.



Shiunn Yang Ent.Co.Ltd.
TEL: 29089890 <REP>
FAX: 29088679

FILE. SY-HDMI-X-BK-WP

SCALE /

UNIT mm SIZE A4

REV.	DESCRIPTION	ENG.	APPROVAL
------	-------------	------	----------

1 2 3 4 5 6 7