

ROHS Compliant

DATE	2020/10/28
Revision	A

PHYSICAL CHARACTERISTICS

MATING : 35N MAX.
 WITHDRAWAL : 10N MIN.
 DURABILITY : 1500 CYCLES MIN.
 OPERATING TEMPERATURE RANGE : -10°C TO 60°C
 STORAGE TEMPERATURE RANGE : -40°C TO 68°C
 HUMIDITY : 10%-90%RH (NON-CONDENSING).

ELECTRICAL

IMPEDANCE: 90±7Ω.
 VOLTAGE RATING: 30 VAC.

CURRENT RATING:

1.5A FOR VBUS ADD GND CONTACTS.
 0.25A FOR OTHER CONTACTS.
 INSULATION RESISTANCE : 20 MΩ MAX.

LOW LEVEL CONTACT RESISTANCE:

30 MΩ FOR VBUS ADD GND CONTACTS.
 50 MΩ FOR OTHER CONTACTS.

DIELECTRIC WITHSTANDING VOLTAGE:

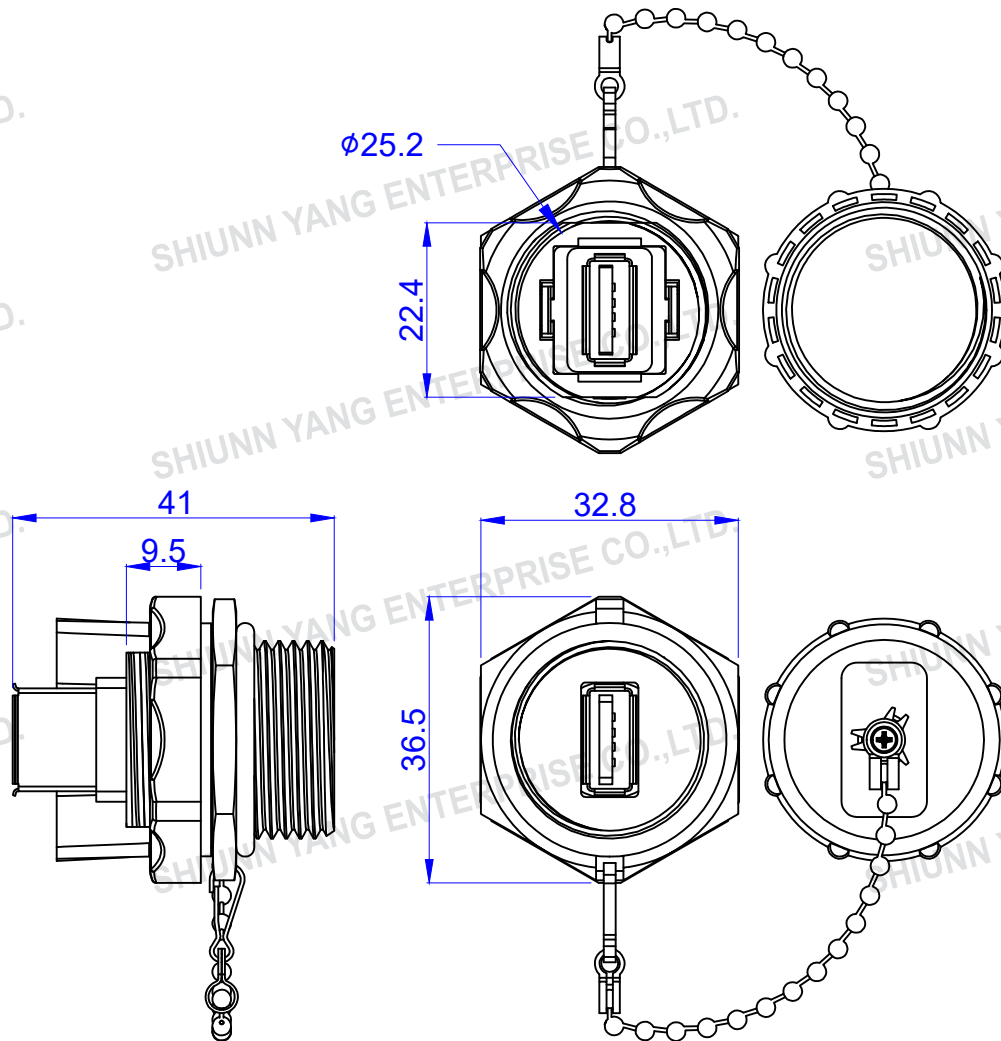
NO BREAKDOWN SHALL OCCUR WHEN 100 VOLTS
 AC(RMS) IS APPLIED BETWEEN.
 CONTACTS OF UNMATED AND MATED CONNECTORS.

IP68

ACCORDING TO IEC 60529
 Degrees of Protection Provided by Enclosures
 6:Dust-tight
 8:Protected from immersion in water for 60 minutes
 at a depth of 1.5 meter.

NOTE

ADAPTER:USB AF/AF REV3.0 ADAPTER,BULE INSULATION.
 NICKEL PLATED SHELL.



PIN ASSIGNMENT

A FEMALE	A FEMALE
1	1
2	2
3	3
4	4
5	5
6	6
7	7
8	8
9	9
SHELL	SHELL


WIRING

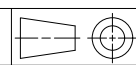
TOLERANCE	
.XXX	0.10
.XX	0.25
.X	0.38

MATERIAL	
BODY & DUST CAP	PBT+GF,UL94V-0
USB CONTACTS	BRASS AND PHOSPHOR BRONZE,GOLD PLATED
SHELL	BRASS,NICKEL PLATED.
ALL HOOD	MOLDED 25P PVC
CHAIN	BRONZE,NICKEL PLATED

P/NO. SY-WPUSB-3.0

ITEM. IP 67 Waterproof	CO. SY	S/N. SY-WPUSB-3.0
DR.	APPD. Sweet 2020/10/28	CHKD.


 Shiunn Yang Ent.Co.Ltd.
 TEL: 29089890 <REP>
 FAX: 29088679

FILE. SY	SCALE /	
UNIT mm	SIZE A4	