

ROHS Compliant

DATE	2019/04/10
Revision	E

FEATURES :

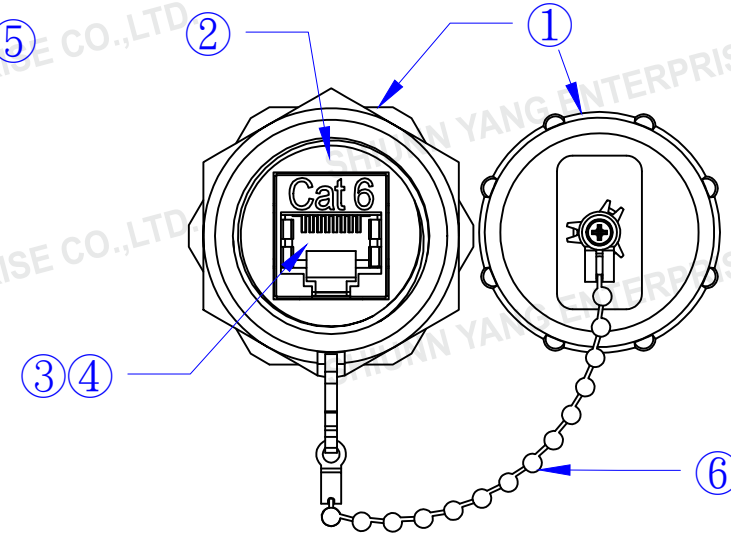
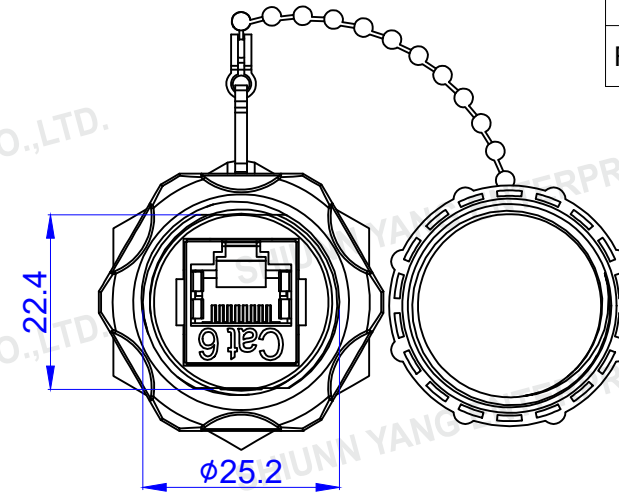
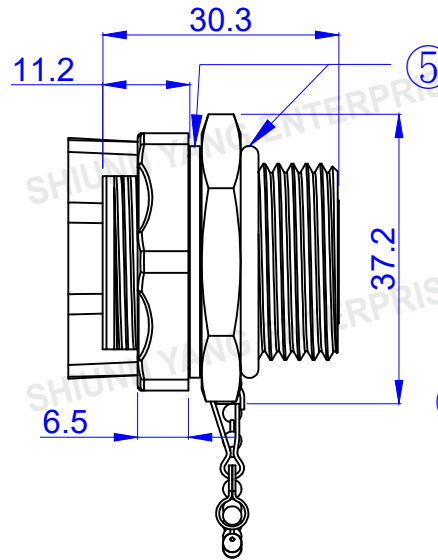
- Insertion:750 Mating Cycles With FCC Compliant 8P Plug.
- Contact Force:100 Grams With FCC Compliant 8P Plug.
- Plug Retention Force:11 LBF Min.
- Operating Temperature Range:-10°C TO 60°C.
- Storage Temperature Range:-40°C TO 68°C
- Humidity:10%~90%RH

ELECTRICAL :

- Contact resistance : 20m ohm
- DC Current rating : 1.5Amps
- DC resistance : Max.0.1 ohm
- Insulation Resistance : 500m ohm
- Dielectric withstanding voltage : 1000V

IP67

ACCORDING TO IEC 60529:2001-02
 Degrees of Protection Provided by Enclosures
 6:Dust-tight
 7:Protected from immersion in water for 30 minutes at a depth of 1 meter.



TOLERANCE

.XXX	0.10
.XX	0.25
.X	0.38

MATERIAL

①	MAIN BODY & DUST CAP : PBT+GF,UL94V-0 Color:BLACK
②	COUPLER HOUSING : ABS,UL94V-0.
③	JACK WIRE : PHOSPHOR BRONZE,50U" GOLD PLATED.
④	SHIELDED CASE: BRASS,NICKEL PLATED.
⑤	O-RING : EPDM
⑥	CHAIN : BRONZE,NICKEL PLATED. ; CONTACT : COPPER ALLOY,T=0.2MM. ; SHELL : COPPER ALLOY,T=0.5MM.

P/NO. SY-WP8DS-C6

ITEM. IP67 Waterproof	CO. SY	S/N. SY-WP8DS-C6
DR.	APPD. Sweet 2019/04/10	CHKD.



Shiunn Yang Ent.Co.Ltd.
 TEL: 29089890 <REP>
 FAX: 29068849,29088679

FILE: SY-WP8DS-C6

SCALE 1:1

UNIT mm SIZE A4