

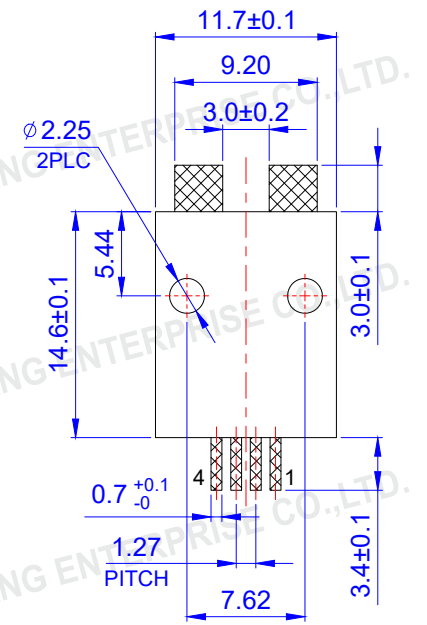
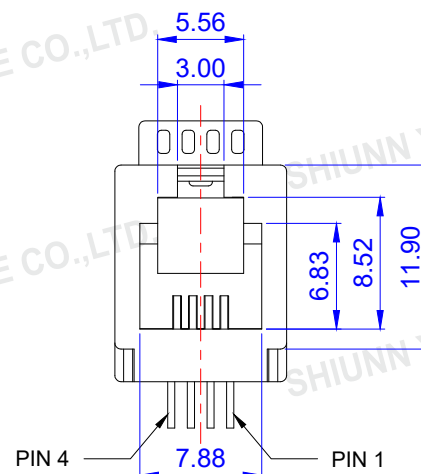
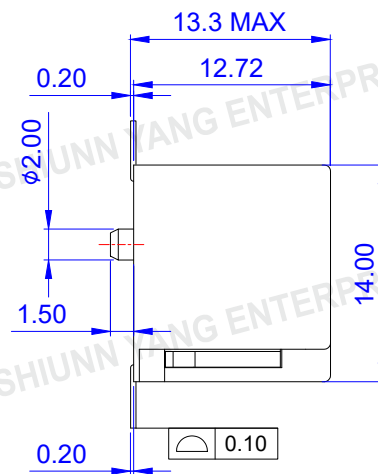
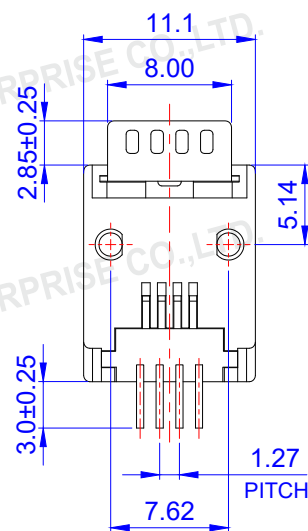
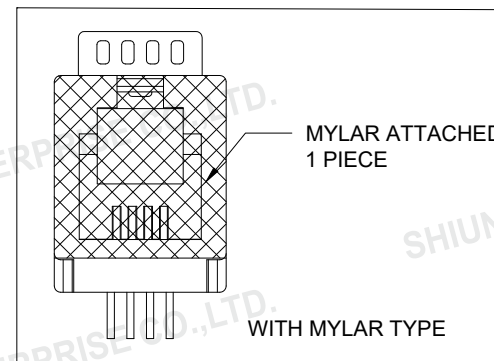
ROHS Compliant

Date 2020/02/26

Revision A

ELECTRICAL :

1. VOLTAGE RATING : 125V.
2. CURRENT RATING : 1.5A.
3. CONTACT RESISTANCE : 30 MILLIOHMS MAX.
4. INSULATION RESISTANCE : 500 MEGOHM MIN.
5. DIELECTRIC WITHSTANDING VOLTAGE : 1000VAC, RMS, 60Hz, 1MINUTE.
6. DURABILITY : 750 MATING CYCLES MIN
7. OPERATING TEMPERATURE : -40°C~+125°C.




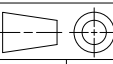
TOLERANCE

.XXX	0.10
.XX	0.25
.X	0.38

TECHNICAL DATA

HOUSING	PA9T, WITH GLASS FIBER, UL94V-0, STANDARD COLOR : BLACK
INSERT HOUSING	PA46, WITH GLASS FIBER, UL94V-0, STANDARD COLOR : BLACK
CONTACT	<input type="checkbox"/> ROUND WIRE : 0.46mm DIAMETER PHOSPHOR BRONZE GOLD PLATED OVER NICKEL
	<input checked="" type="checkbox"/> FLAT WIRE : 0.35mm THICKNESS PHOSPHOR BRONZE GOLD PLATED OVER NICKEL
	TIN PLATED OVER NICKEL ON SOLDER AREA.
GOLD-PLATING	<input type="checkbox"/> GOLD-FLASH <input checked="" type="checkbox"/> 0.15um/6u inch <input type="checkbox"/> 0.38um/15u inch <input type="checkbox"/> 0.76um/30u inch <input type="checkbox"/> 1.27um/50u inch
TYPE OF JACK	<input type="checkbox"/> UNSHIELD <input checked="" type="checkbox"/> SHIELD : 0.25mm THICKNESS COPPER ALLOY WITH NICKLE PLATED.

ITEM. SY-055-4P4C

P/NO. PCB JACK	CO. SY	FILE. SY-055-4P4C
DR.	APPD. Sweet 2020/20/26	CHKD.
 Shiunn Yang Ent.Co.Ltd. TEL: 29089890 <REP> FAX: 29088679		SCALE / 
		UNIT mm SIZE A4
		SHEET REV.