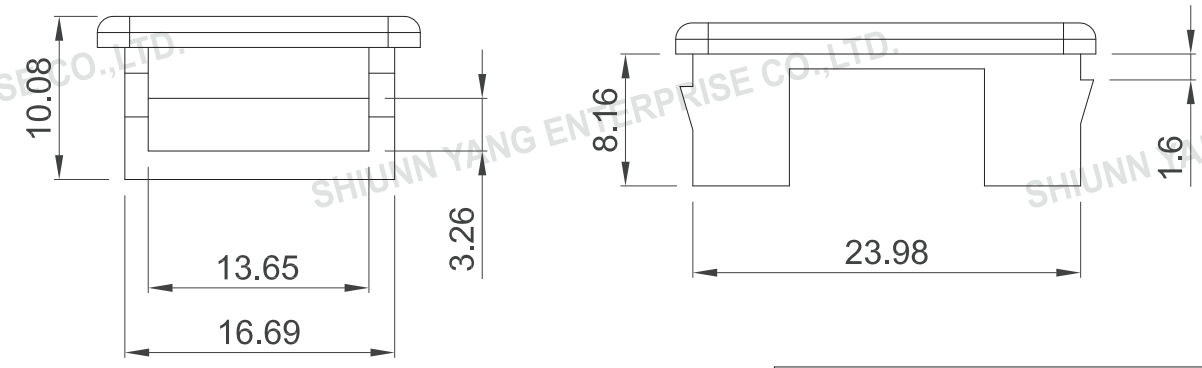
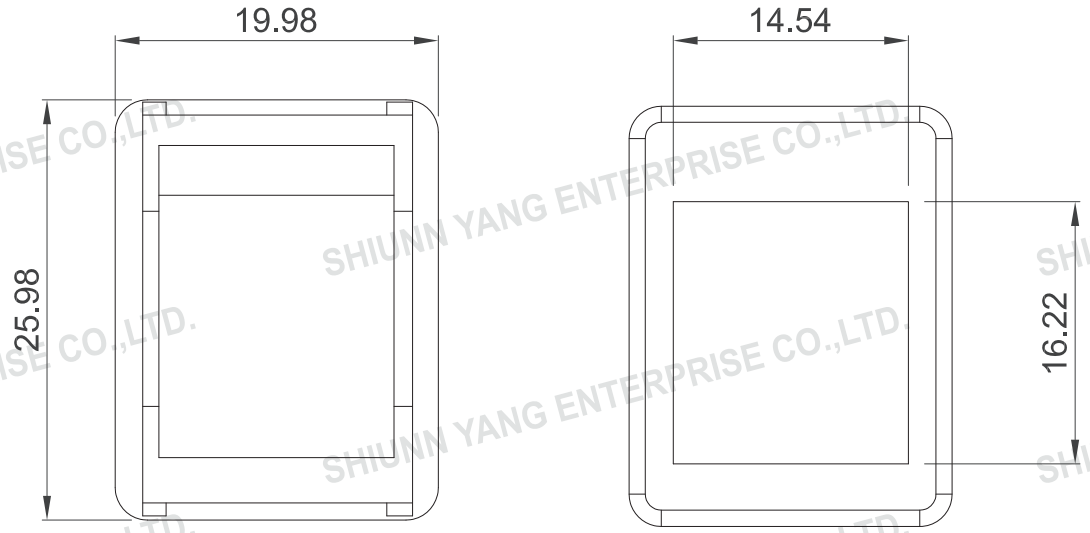



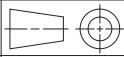
1 ROHS Compliant

7 DATE	2013/08/15
Revision	A



TOLERANCE	
.XXXX	---
.XXX	0.10
.XX	0.25
.X	0.38

MATERIAL	
HOUSING	ABS 94V-0
COLOR	WHITE

P/NO. SY-KCC-WH		
ITEM.	CO. SY	S/N. SY-KCC-WH
DR. Wakka 2013/08/15	APPD.	CHKD.
 Shiunn Yang Ent.Co.Ltd. TEL: 29089890 <REP> FAX: 29068849,29088679	FILE. SY-KCC-WH	
	SCALE /	
	UNIT mm	SIZE A4

REV.	DESCRIPTION	ENG.	APPROVAL
1			