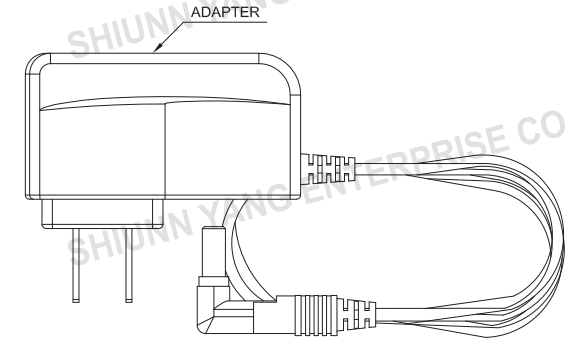
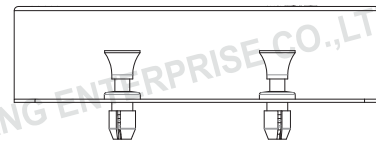
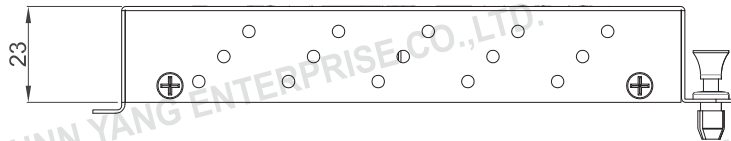
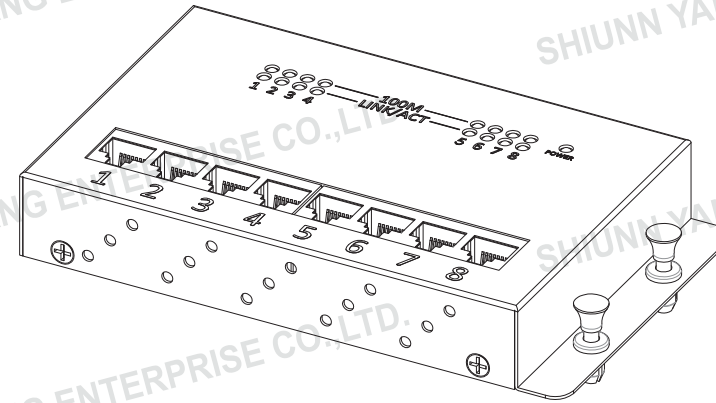
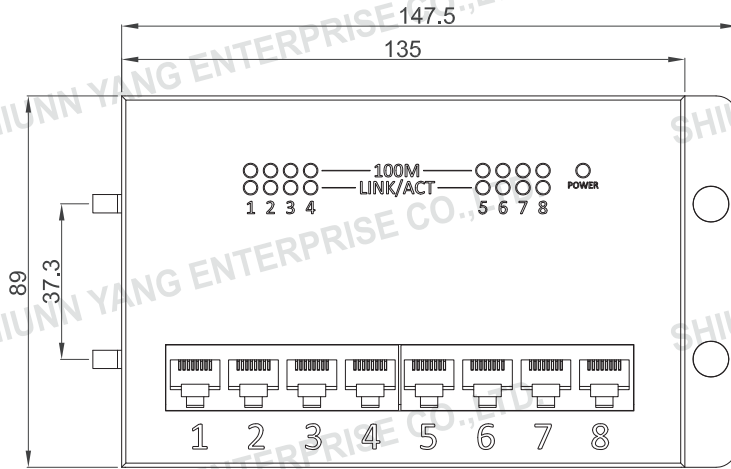



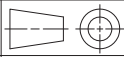
ROHS Compliant

DATE	2013/12/09
Revision	B



TOLERANCE	
.XXXX	----
.XXX	0.10
.XX	0.25
.X	0.38

MATERIAL	
MATERIAL	IRON
COLOR	GRAY
THICKNESS	0.8mm
ACCESSORY	Adapter x 1, INPUT : AC100V~240V, 50/60Hz, OUTPUT : DC, 5V, 1A

P/NO. SY-H80HUB-01		
ITEM.	CO. SY	S/N. SY-H80HUB-01
DR. Wakka 2013/12/09	APPD.	CHKD.
 Shuinn Yang Ent.Co.Ltd. TEL: 29089890 <REP> FAX: 29068849,29088679	FILE. SY-H80HUB-01	
	SCALE /	
	UNIT mm	SIZE A4

REV.	DESCRIPTION	ENG.	APPROVAL
1			

1 ROHS Compliant

7	DATE	2013/12/09
	Revision	B

A

B

C

D

E

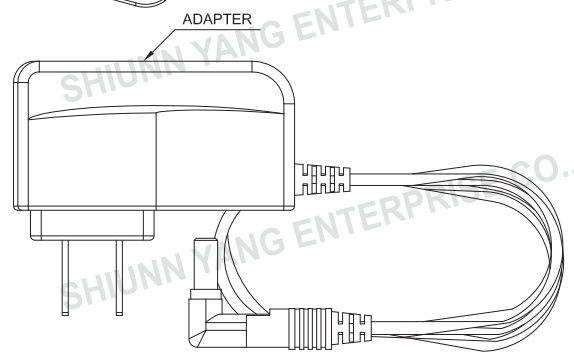
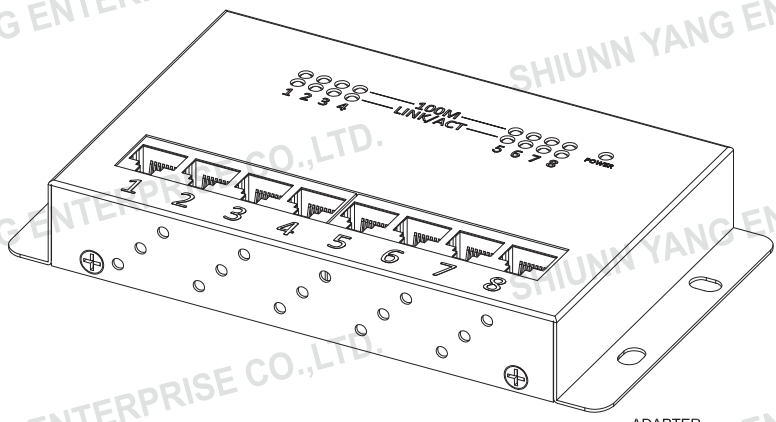
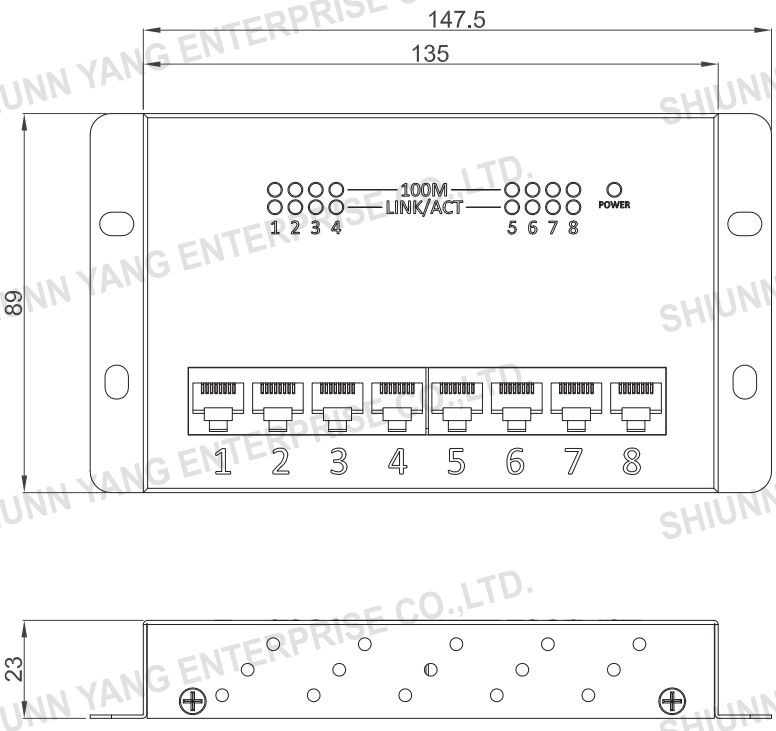
A

B

C

D


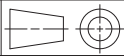
E



TOLERANCE	
.XXXX	----
.XXX	0.10
.XX	0.25
.X	0.38

MATERIAL	
MATERIAL	IRON
COLOR	GRAY
THICKNESS	0.8mm
ACCESSORY	Adapter x 1, INPUT : AC100V~240V, 50/60Hz, OUTPUT : DC, 5V, 1A

REV.	DESCRIPTION	ENG.	APPROVAL
1			

P/NO. SY-H80HUB-02		
ITEM.	CO. SY	S/N. SY-H80HUB-02
DR. Wakka 2013/12/09	APPD.	CHKD.
 Shiunn Yang Ent.Co.Ltd. TEL: 29089890 <REP> FAX: 29068849,29088679		FILE. SY-H80HUB-02
		SCALE / 
		UNIT mm SIZE A4