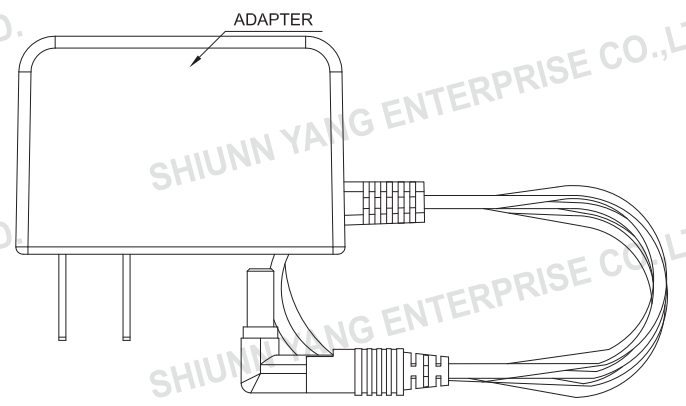
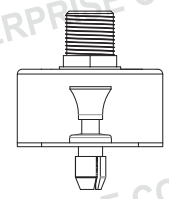
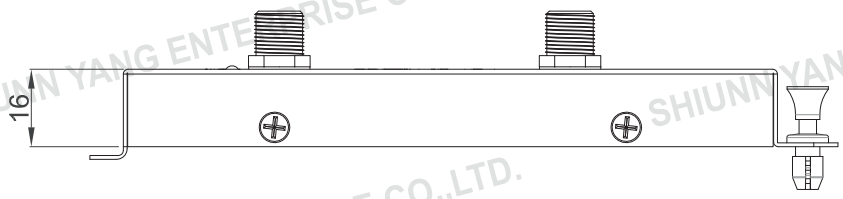
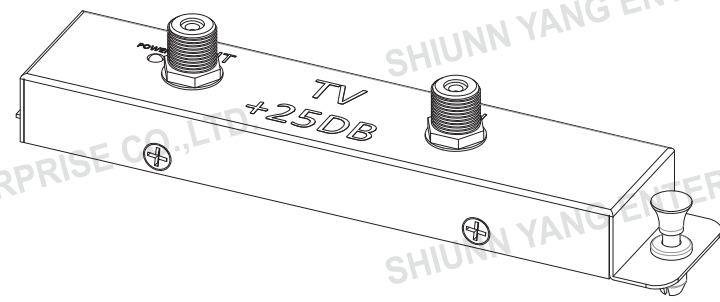
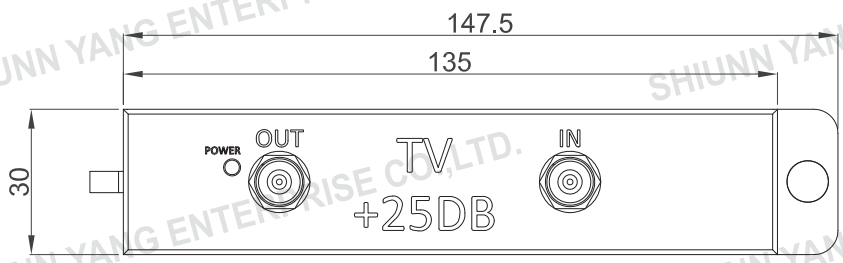


1 ROHS Compliant

7	DATE	2013/12/09
	Revision	B



TOLERANCE	
.XXXX	----
.XXX	0.10
.XX	0.25
.X	0.38

MATERIAL	
MATERIAL	IRON
COLOR	GRAY
THICKNESS	0.8mm
ACCESSORY	Adapter x 1 , INPUT : AC100V~240V , 50/60Hz , OUTPUT : DC , 12V , 1A

**P/NO. SY-H518-SA25-01**

ITEM.	CO. SY	S/N. SY-H518-SA25-01
DR. Wakka 2013/12/09	APPD.	CHKD.



Shiunn Yang Ent.Co.Ltd.  
 TEL: 29089890 <REP>  
 FAX: 29068849,29088679

FILE.SY-H518-SA25-01	
SCALE /	
UNIT mm	SIZE A4

REV.	DESCRIPTION	ENG.	APPROVAL
1	2	3	4

5 6 7

A

B

C

D

E

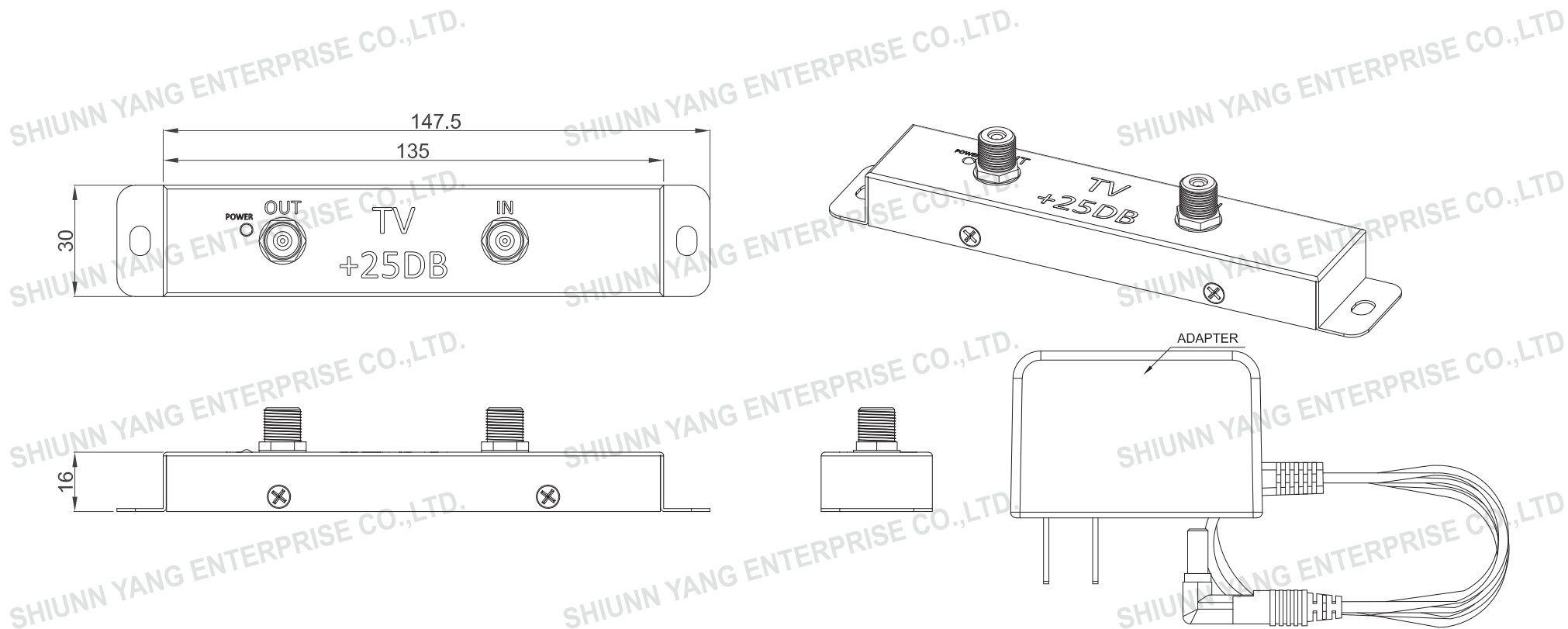
A

B

C

D

E



TOLERANCE	
.XXXX	----
.XXX	0.10
.XX	0.25
.X	0.38

MATERIAL			
MATERIAL	IRON		
COLOR	GRAY		
THICKNESS	0.8mm		
ACCESSORY	Adapter x 1 , INPUT : AC100V~240V , 50/60Hz , OUTPUT : DC , 12V , 1A		
REV.	DESCRIPTION	ENG.	APPROVAL
1	2	3	4

<b>P/NO. SY-H518-SA25-02</b>		
ITEM.	CO. SY	S/N. SY-H518-SA25-02
DR. Wakka 2013/12/09	APPD.	CHKD.
	Shiunn Yang Ent.Co.Ltd. TEL: 29089890 <REP> FAX: 29068849,29088679	
	FILE.SY-H518-SA25-02	
	SCALE /	UNIT mm
5	6	7