

ROHS Compliant

DATE	2012/09/19
Revision	A

TOLERANCE	
.XXXX	---
.XXX	0.10
.XX	0.25
.X	0.38

MATERIAL			
HOUSING	PC+ABS High-Impact UL-94V-0 Thermoplastic	COLOR	<input type="checkbox"/> WHITE <input type="checkbox"/> IVORY
ENCLOSURE	<input type="checkbox"/> SCREW (3.5x20mm) x 2	<input type="checkbox"/> SCREW (3.5x25mm) x 2	<input type="checkbox"/> SCREW (6x25mm) x 2
	9000352000	90035025TP2	7000602500
	<input type="checkbox"/> CLEAR COVER x2, WHITE PAPER(9.5x37mm) x2 <input type="checkbox"/> WHITE COVER <input type="checkbox"/> IVORY COVER		
REV.	DESCRIPTION	ENG.	APPROVAL

P/NO. SY-AUS-1					
ITEM. Wall Plate	CO. SY				
DR. Wakka 2012/09/19	S/N. SY-AUS-1				
	APPD.				
	CHKD.				
	FILE. SY-AUS-1				
Shiunn Yang Ent.Co.Ltd. TEL: 29089890 <REP> FAX: 29068849,29088679	<table border="1"> <tr> <td>SCALE /</td> <td></td> </tr> <tr> <td>UNIT mm</td> <td>SIZE A4</td> </tr> </table>	SCALE /		UNIT mm	SIZE A4
SCALE /					
UNIT mm	SIZE A4				

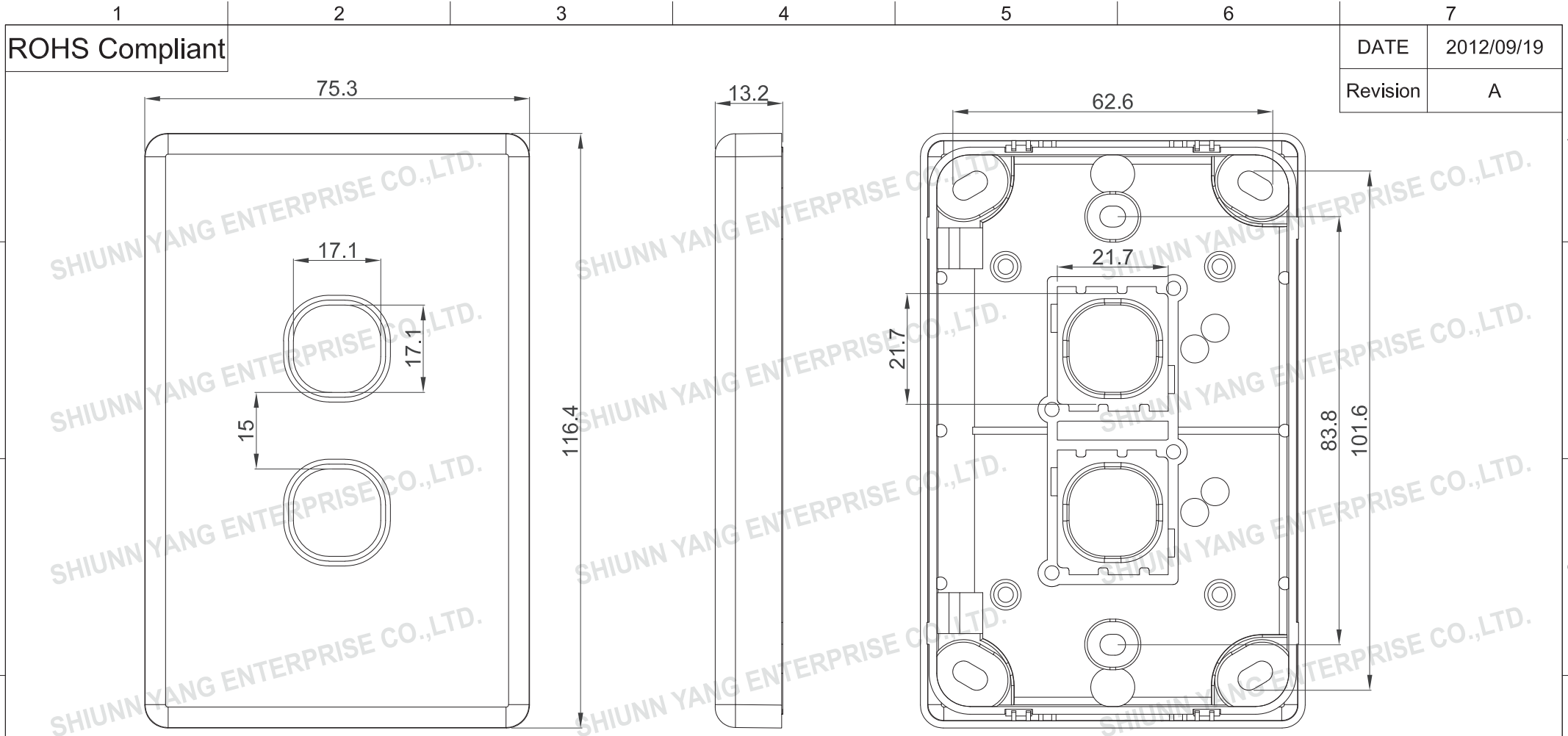
A
B
C
D

A
B
C
D

E

E

1 2 3 4 5 6 7



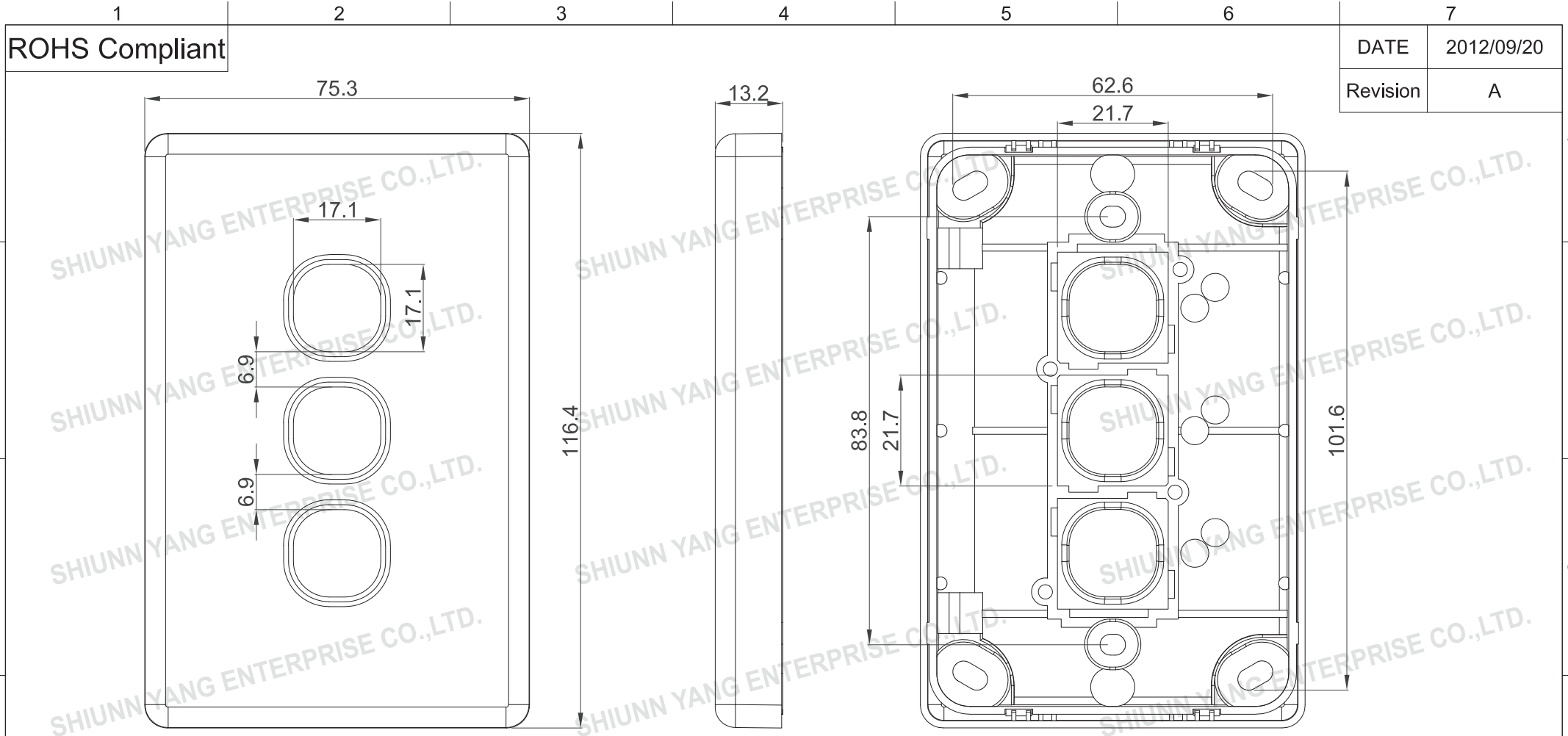
ROHS Compliant

7	
DATE	2012/09/19
Revision	A

D TOLERANCE	
.XXXX	---
.XXX	0.10
.XX	0.25
.X	0.38

MATERIAL			
HOUSING	PC+ABS High-Impact UL-94V-0 Thermoplastic	COLOR	<input type="checkbox"/> WHITE <input type="checkbox"/> IVORY
ENCLOSURE	<input type="checkbox"/> SCREW (3.5x20mm) x 2	<input type="checkbox"/> SCREW (3.5x25mm) x 2	<input type="checkbox"/> SCREW (6x25mm) x 2
	9000352000	90035025TP2	7000602500
	<input type="checkbox"/> CLEAR COVER x2, WHITE PAPER(9.5x37mm) x2 <input type="checkbox"/> WHITE COVER <input type="checkbox"/> IVORY COVER		
REV.	DESCRIPTION	ENG.	APPROVAL

P/NO. SY-AUS-2	
ITEM. Wall Plate	CO. SY
DR. Wakka 2012/09/19	S/N. SY-AUS-2
Shiunn Yang Ent.Co.Ltd. TEL: 29089890 <REP> FAX: 29068849,29088679	APPD. CHKD.
	FILE. SY-AUS-2
	SCALE /
UNIT mm	SIZE A4



ROHS Compliant

DATE	2012/09/20
Revision	A

TOLERANCE	
.XXXX	----
.XXX	0.10
.XX	0.25
.X	0.38

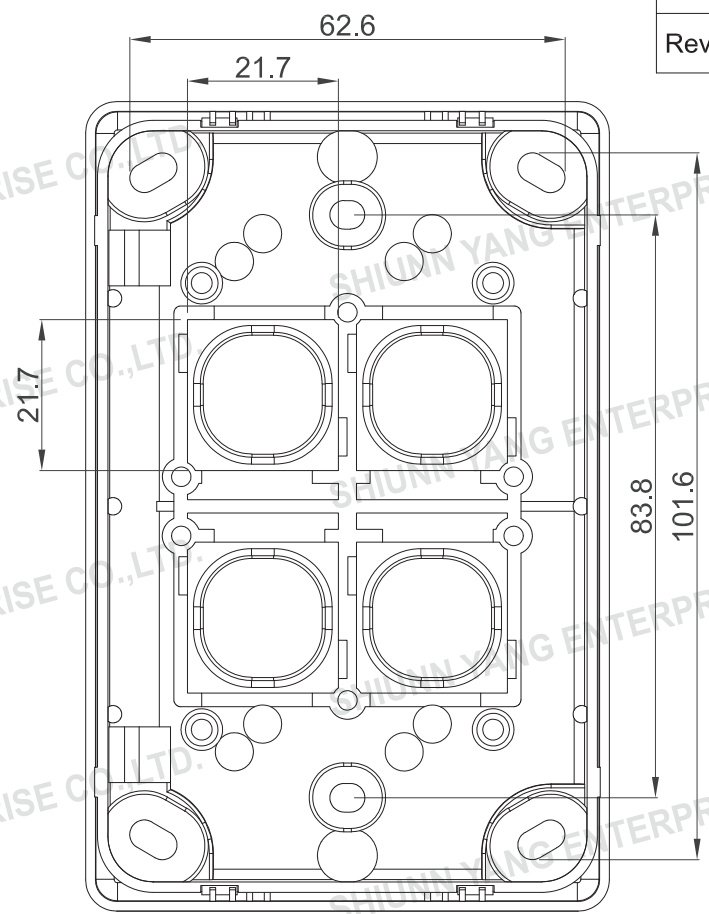
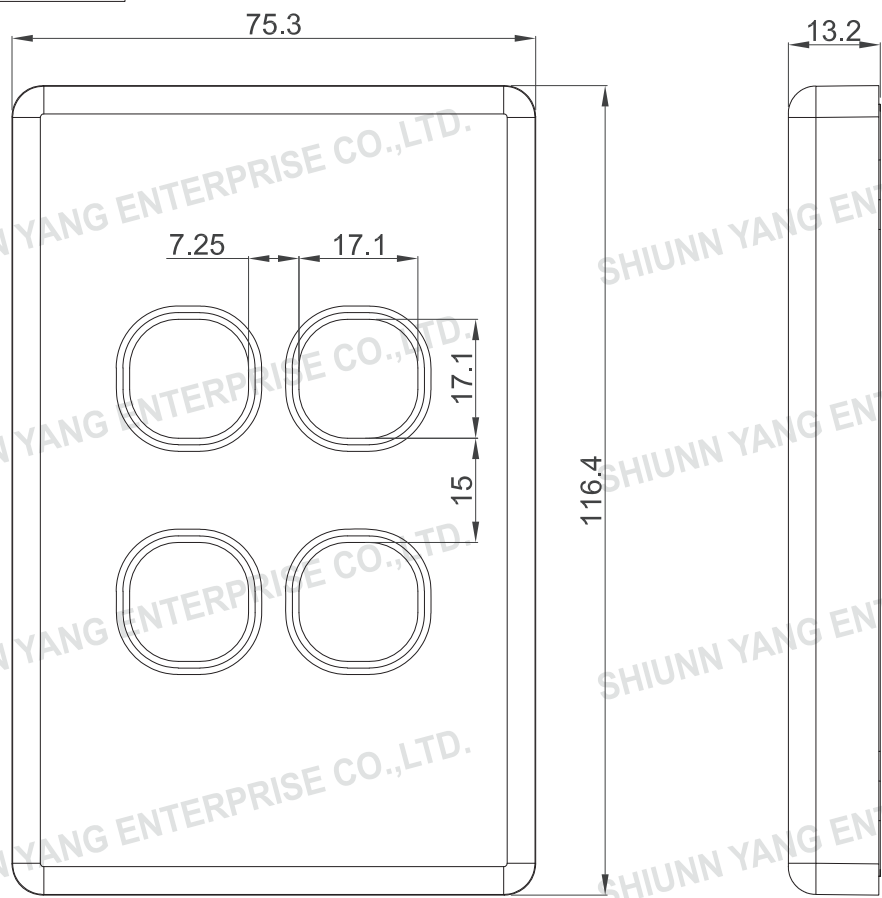
MATERIAL			
HOUSING	PC+ABS High-Impact UL-94V-0 Thermoplastic		
COLOR	<input type="checkbox"/> WHITE <input type="checkbox"/> IVORY		
ENCLOSURE	<input type="checkbox"/> SCREW (3.5x20mm) x 2 <input type="checkbox"/> SCREW (3.5x25mm) x 2 <input type="checkbox"/> SCREW (6x25mm) x 2 9000352000 90035025TP2 7000602500 <input type="checkbox"/> CLEAR COVER x2, WHITE PAPER(9.5x37mm) x2 <input type="checkbox"/> WHITE COVER <input type="checkbox"/> IVORY COVER		
REV.	DESCRIPTION	ENG.	APPROVAL

P/NO. SY-AUS-3	
ITEM. Wall Plate	CO. SY
DR. Wakka 2012/09/20	S/N. SY-AUS-3
APPD. CHKD.	
FILE. SY-AUS-3	
	Shunn Yang Ent.Co.Ltd. TEL: 29089890 <REP> FAX: 29068849,29088679
	SCALE / UNIT mm SIZE A4

1 ROHS Compliant

7	DATE	2012/09/19
	Revision	A


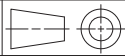
A
B
C
D



A
B
C
D

TOLERANCE	
.XXXX	---
.XXX	0.10
.XX	0.25
.X	0.38

MATERIAL			
HOUSING	PC+ABS High-Impact UL-94V-0 Thermoplastic		
COLOR	<input type="checkbox"/> WHITE <input type="checkbox"/> IVORY		
ENCLOSURE	<input type="checkbox"/> SCREW (3.5x20mm) x 2 <input type="checkbox"/> SCREW (3.5x25mm) x 2 <input type="checkbox"/> SCREW (6x25mm) x 2 <input type="checkbox"/> CLEAR COVER x2, WHITE PAPER(9.5x37mm) x2 <input type="checkbox"/> WHITE COVER <input type="checkbox"/> IVORY COVER		
REV.	DESCRIPTION	ENG.	APPROVAL

P/NO. SY-AUS-4	
ITEM. Wall Plate	CO. SY
DR. Wakka 2012/09/19	S/N. SY-AUS-4
APPD. CHKD.	
FILE. SY-AUS-4	
 Shiunn Yang Ent.Co.Ltd. TEL: 29089890 <REP> FAX: 29068849,29088679	
SCALE /	
UNIT mm	SIZE A4

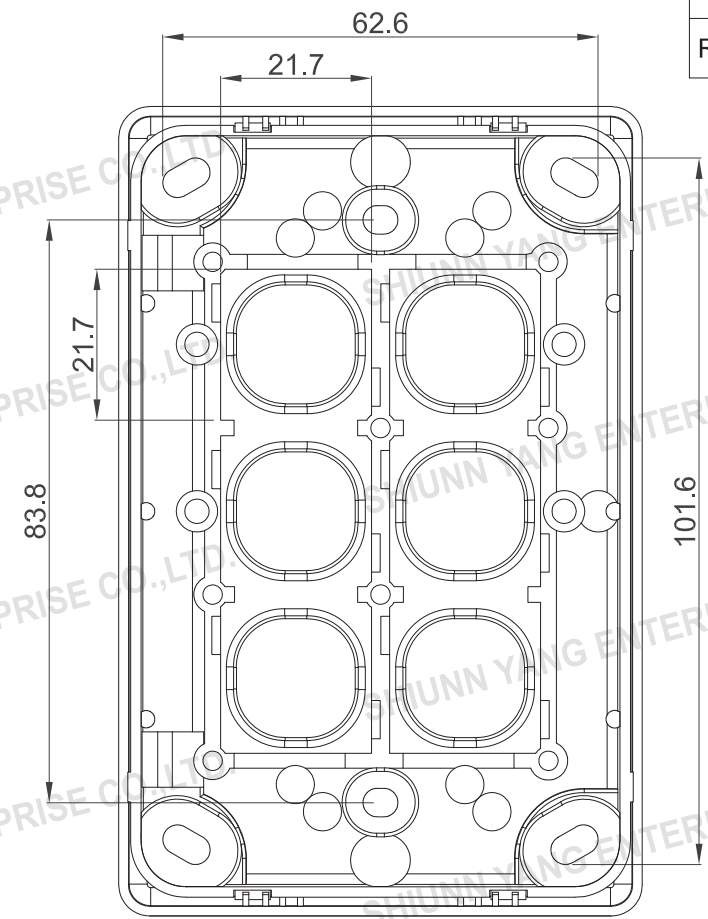
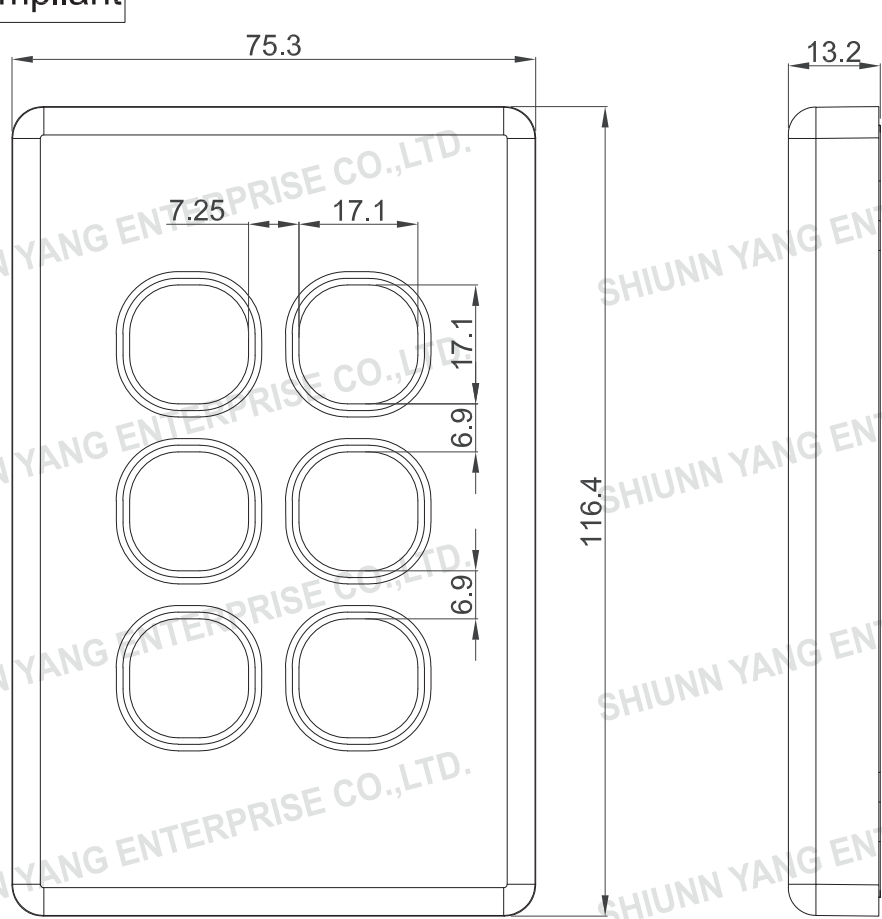
E

1 2 3 4 5 6 7

1 ROHS Compliant

7	DATE	2012/09/20
	Revision	A

A
B
C
D



A
B
C
D

TOLERANCE	
.XXXX	----
.XXX	0.10
.XX	0.25
.X	0.38

MATERIAL

HOUSING	PC+ABS High-Impact UL-94V-0 Thermoplastic	COLOR	<input type="checkbox"/> WHITE <input type="checkbox"/> IVORY
ENCLOSURE	<input type="checkbox"/> SCREW (3.5x20mm) x 2	<input type="checkbox"/> SCREW (3.5x25mm) x 2	<input type="checkbox"/> SCREW (6x25mm) x 2
	9000352000	90035025TP2	7000602500
	<input type="checkbox"/> CLEAR COVER x2, WHITE PAPER(9.5x37mm) x2	<input type="checkbox"/> WHITE COVER	<input type="checkbox"/> IVORY COVER

P/NO. SY-AUS-6	
ITEM. Wall Plate	CO. SY
DR. Wakka 2012/09/20	S/N. SY-AUS-6
	APPD.
	CHKD.
Shiunn Yang Ent.Co.Ltd. TEL: 29089890 <REP> FAX: 29068849,29088679	FILE. SY-AUS-6
UNIT mm	SCALE /
REV.	SIZE A4

E

1	2	3	4	5	6	7
REV.	DESCRIPTION	ENG.	APPROVAL			