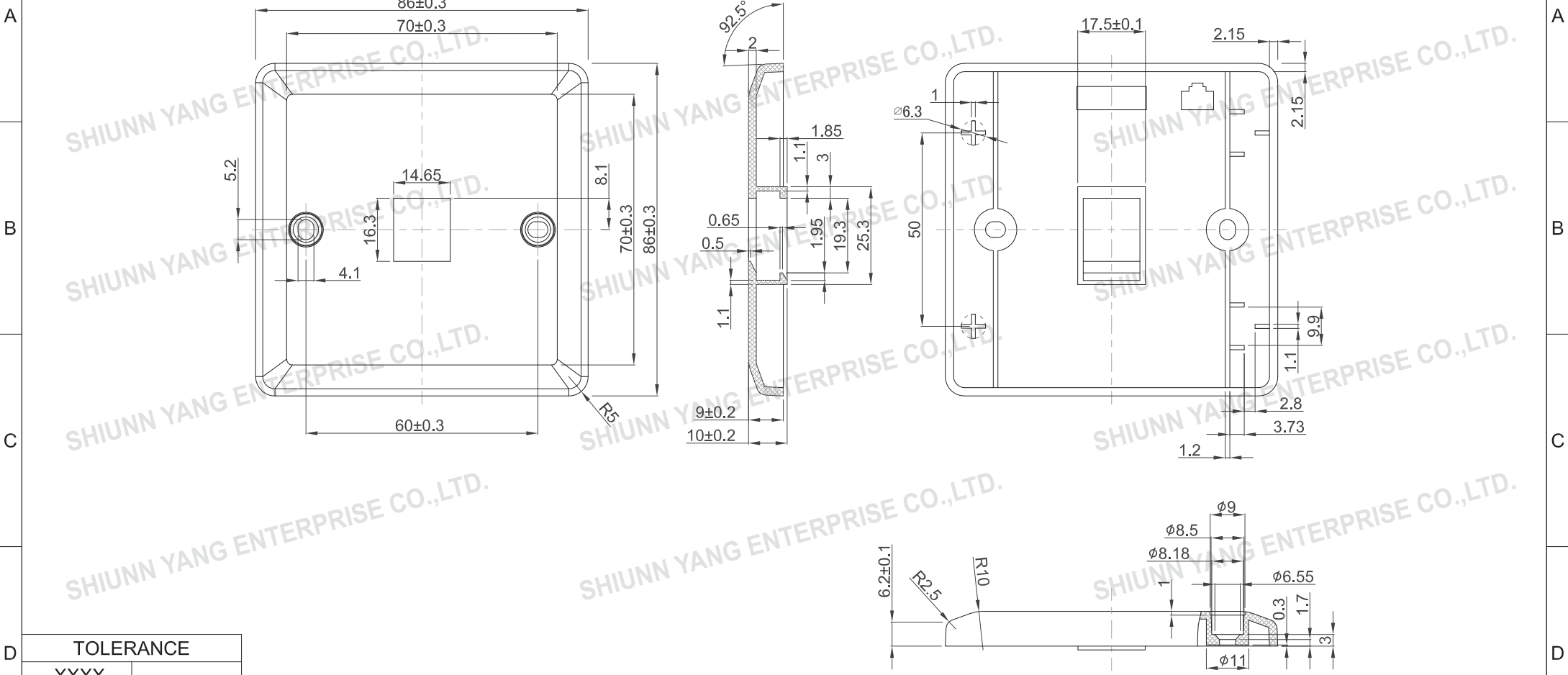


1 ROHS Compliant

7	DATE	2014/01/08
	Revision	A



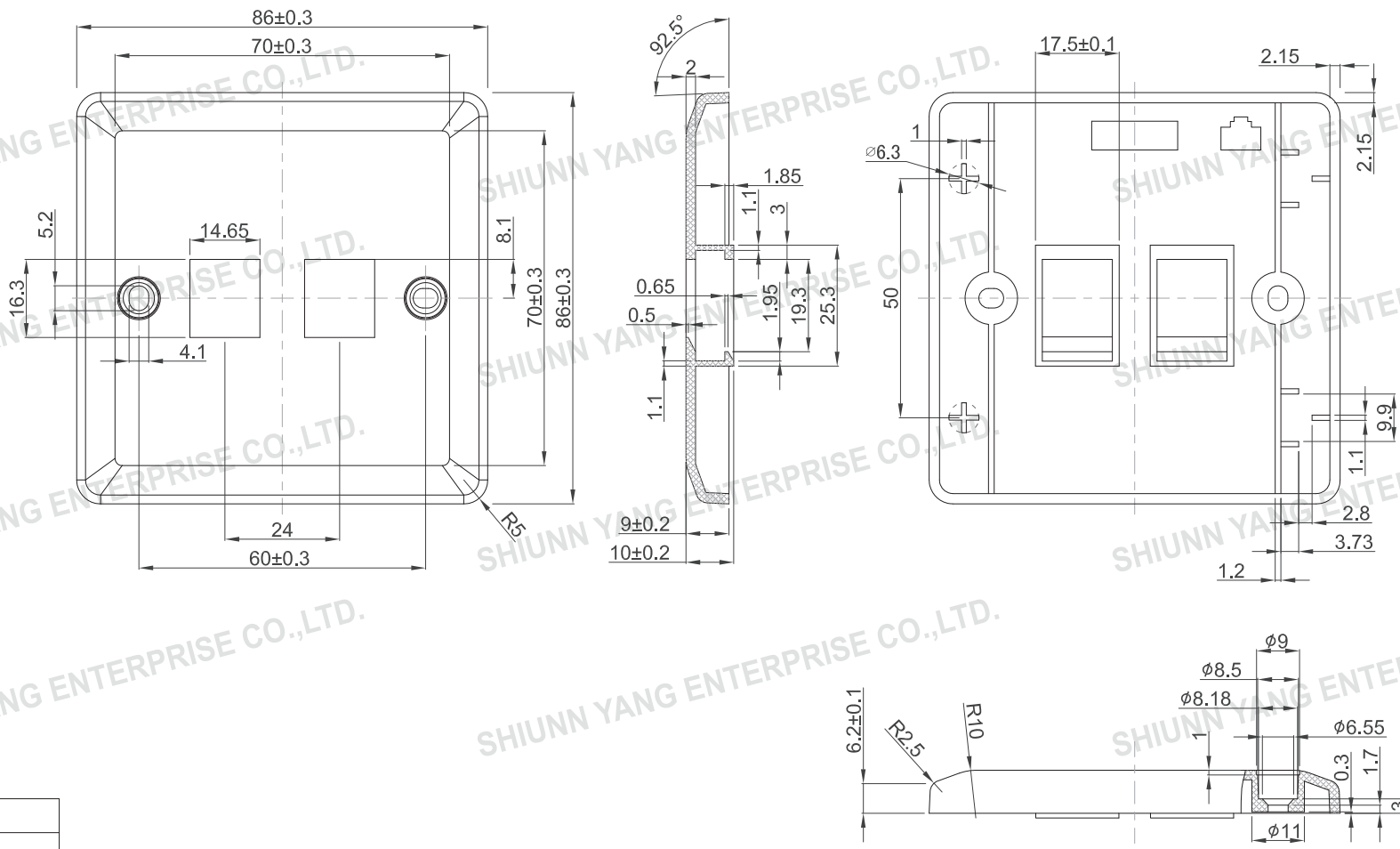
TOLERANCE	
.XXXX	----
.XXX	0.10
.XX	0.25
.X	0.38

MATERIAL			
HOUSING	ABS UL-94V-0	COLOR	<input type="checkbox"/> WHITE <input type="checkbox"/> IVORY
ENCLOSURE	<input type="checkbox"/> SCREW (3.5x20mm) x 2	<input type="checkbox"/> SCREW (3.5x25mm) x 2	<input type="checkbox"/> SCREW (6x25mm) x 2
	9000352000	90035025TP2	7000602500
	<input type="checkbox"/> CLEAR COVER x2, WHITE PAPER(9.5x37mm) x2 <input type="checkbox"/> WHITE COVER <input type="checkbox"/> IVORY COVER		
REV.	DESCRIPTION	ENG.	APPROVAL
1	2	3	4

P/NO. SY-CC1	
ITEM. Wall Plate	CO. SY
DR. Wakka 2014/01/08	APPD.
S/N. SY-CC1	
CHKD.	
FILE. SY-CC1	
	Shiunn Yang Ent.Co.Ltd. TEL: 29089890 <REP> FAX: 29068849,29088679
	SCALE /
	UNIT mm SIZE A4
5	6


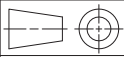
1 ROHS Compliant

7	DATE	2014/01/08
	Revision	A



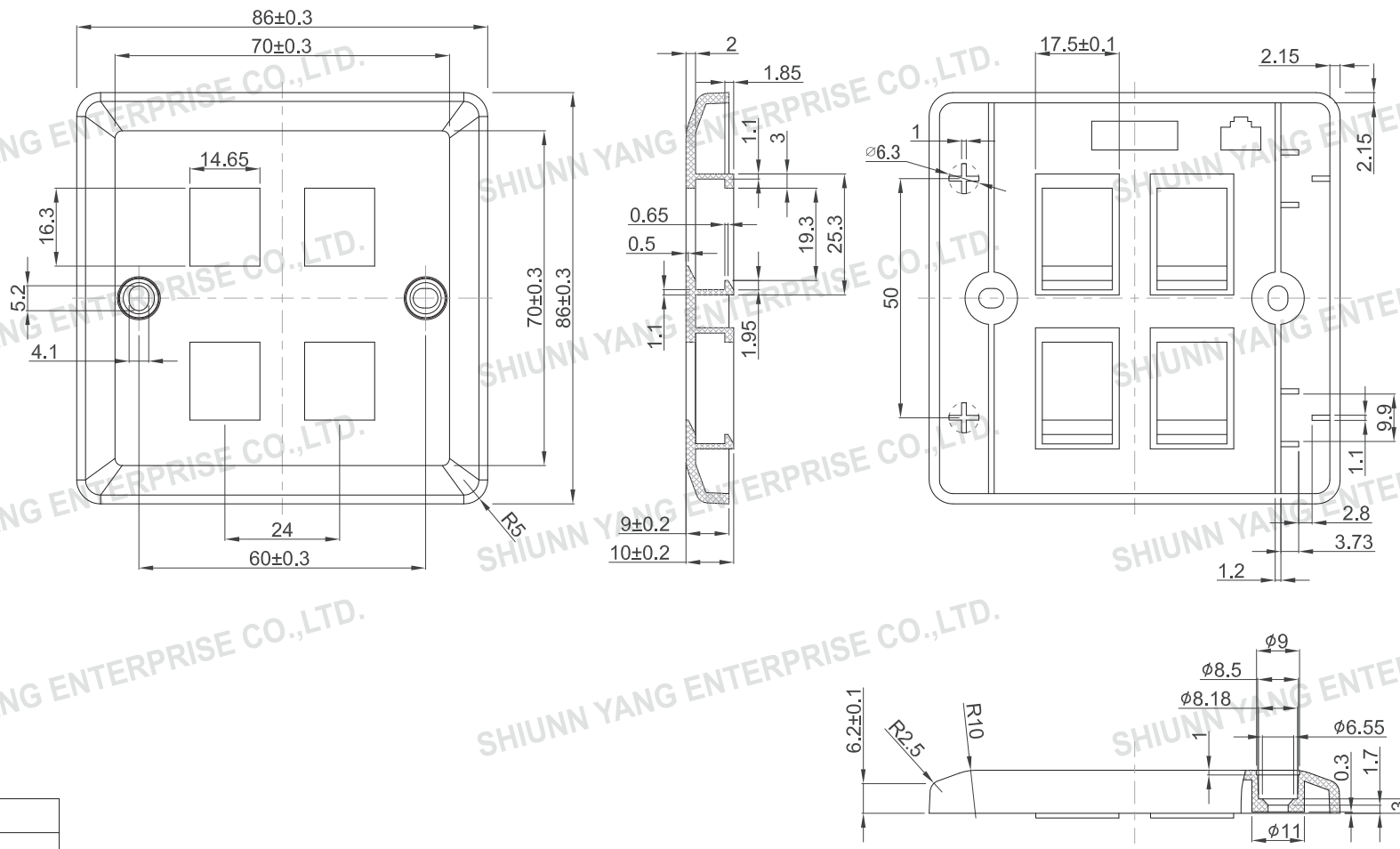
TOLERANCE	
.XXXX	---
.XXX	0.10
.XX	0.25
.X	0.38

MATERIAL	
HOUSING	ABS UL-94V-0
COLOR	<input type="checkbox"/> WHITE <input type="checkbox"/> IVORY
ENCLOSURE	<input type="checkbox"/> SCREW (3.5x20mm) x 2 <input type="checkbox"/> SCREW (3.5x25mm) x 2 <input type="checkbox"/> SCREW (6x25mm) x 2 <input type="checkbox"/> CLEAR COVER x2, WHITE PAPER(9.5x37mm) x2 <input type="checkbox"/> WHITE COVER <input type="checkbox"/> IVORY COVER <input type="checkbox"/> 9000352000 <input type="checkbox"/> 90035025TP2 <input type="checkbox"/> 7000602500
REV.	DESCRIPTION
1	2
3	4

P/NO. SY-CC2	
ITEM. Wall Plate	CO. SY
DR. Wakka 2014/01/08	APPD.
S/N. SY-CC2	
CHKD.	
FILE. SY-CC2	
 Shiunn Yang Ent.Co.Ltd. TEL: 29089890 <REP> FAX: 29068849,29088679	
SCALE /	
UNIT mm	SIZE A4

1 ROHS Compliant

7 DATE	2014/01/08
Revision	A



TOLERANCE	
.XXXX	---
.XXX	0.10
.XX	0.25
.X	0.38

MATERIAL	
HOUSING	ABS UL-94V-0
COLOR	<input type="checkbox"/> WHITE <input type="checkbox"/> IVORY
ENCLOSURE	<input type="checkbox"/> SCREW (3.5x20mm) x 2 <input type="checkbox"/> SCREW (3.5x25mm) x 2 <input type="checkbox"/> SCREW (6x25mm) x 2 9000352000 90035025TP2 7000602500 <input type="checkbox"/> CLEAR COVER x2, WHITE PAPER(9.5x37mm) x2 <input type="checkbox"/> WHITE COVER <input type="checkbox"/> IVORY COVER
REV.	DESCRIPTION
1	2
3	4
ENG.	APPROVAL

P/NO. SY-CC4	
ITEM. Wall Plate	CO. SY
DR. Wakka 2014/01/08	S/N. SY-CC4
APPD. CHKD.	
FILE. SY-CC4	
Shiunn Yang Ent.Co.Ltd. TEL: 29089890 <REP> FAX: 29068849,29088679	
SCALE /	
UNIT mm	SIZE A4