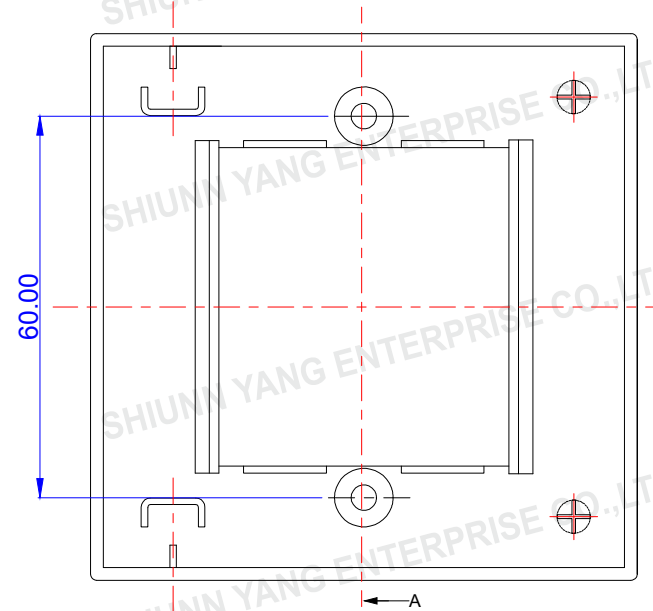
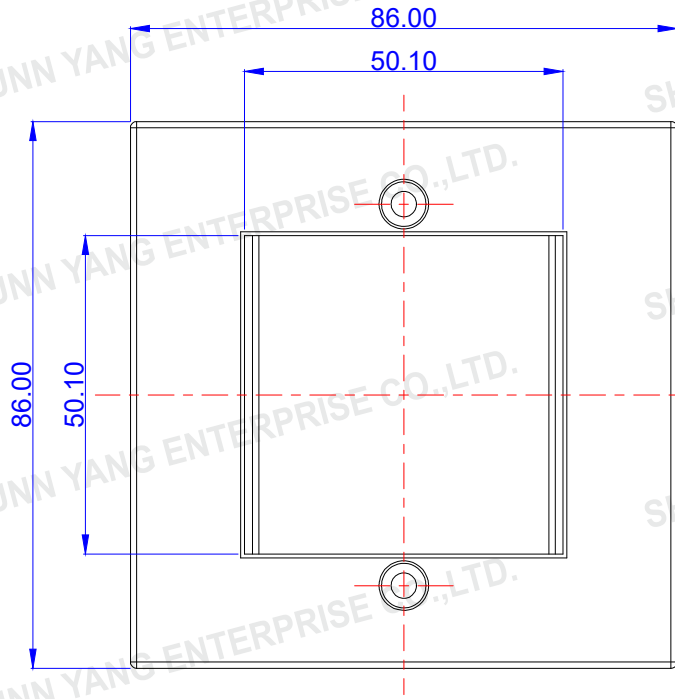


ROHS Compliant

DATE	2012/08/27
Revision	A



SHIUNN YANG ENTERPRISE CO.,LTD.

TOLERANCE

.XXXX	----
.XXX	0.10
.XX	0.25
.X	0.38

MATERIAL

HOUSING	ABS UL-94V-0
COLOR	<input type="checkbox"/> WHITE <input type="checkbox"/> IVORY

P/NO. SY-BK1

ITEM. Wall Plate	CO. SY	S/N. SY-BK1
DR. Wakka 2012/08/27	APPD.	CHKD.



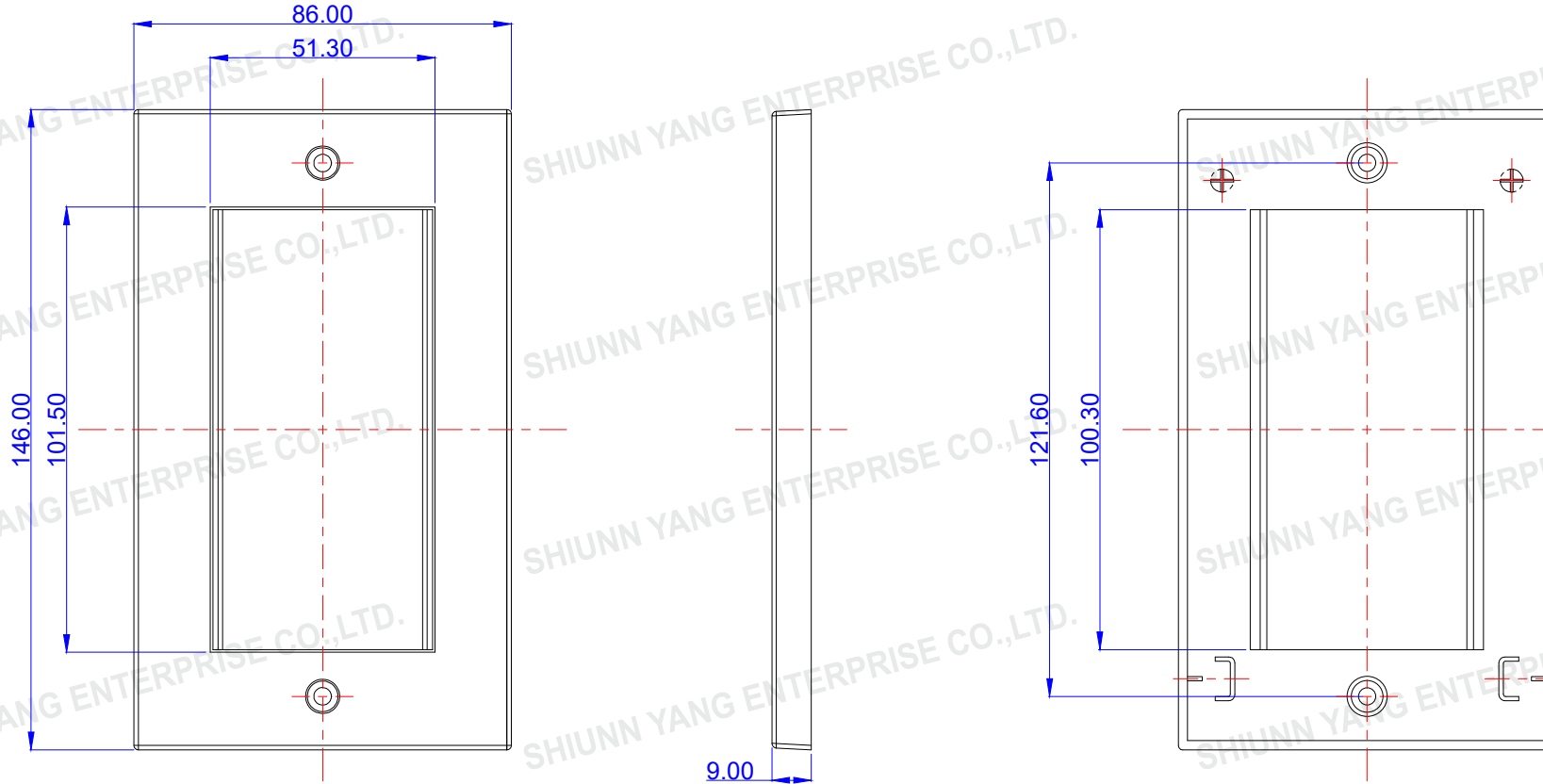
Shiunn Yang Ent.Co.Ltd.  
 TEL: 29089890 <REP>  
 FAX: 29068849,29088679

FILE. SY-BK1
SCALE /
UNIT mm SIZE A4

REV.	DESCRIPTION	ENG.	APPROVAL
1			

ROHS Compliant

DATE	2012/08/27
Revision	A



TOLERANCE

.XXXX	----
.XXX	0.10
.XX	0.25
.X	0.38



MATERIAL

HOUSING	ABS UL-94V-0
COLOR	<input type="checkbox"/> WHITE <input type="checkbox"/> IVORY

P/NO. SY-BK2

ITEM. Wall Plate	CO. SY	S/N. SY-BK2
DR. Wakka 2012/08/27	APPD.	CHKD.



Shiunn Yang Ent.Co.Ltd.  
 TEL: 29089890 <REP>  
 FAX: 29068849,29088679

FILE. SY-BK2
SCALE /
UNIT mm SIZE A4

REV.	DESCRIPTION	ENG.	APPROVAL
1			