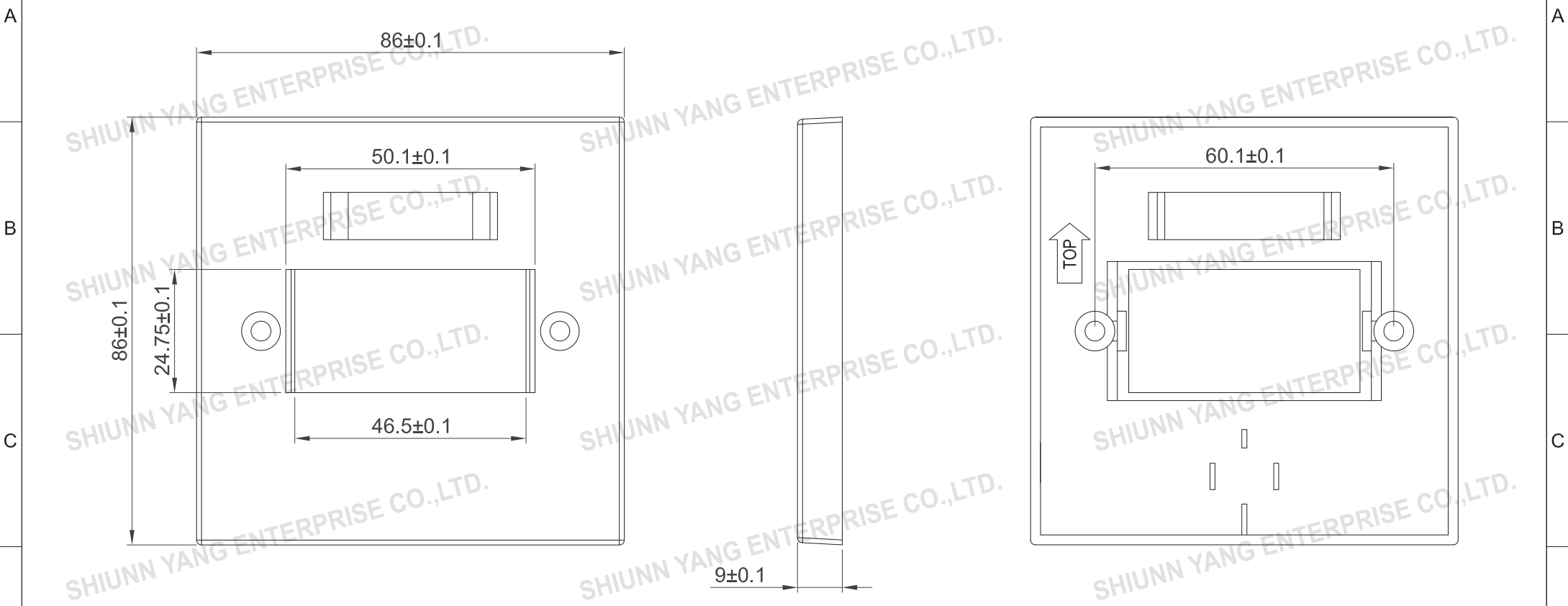


ROHS Compliant

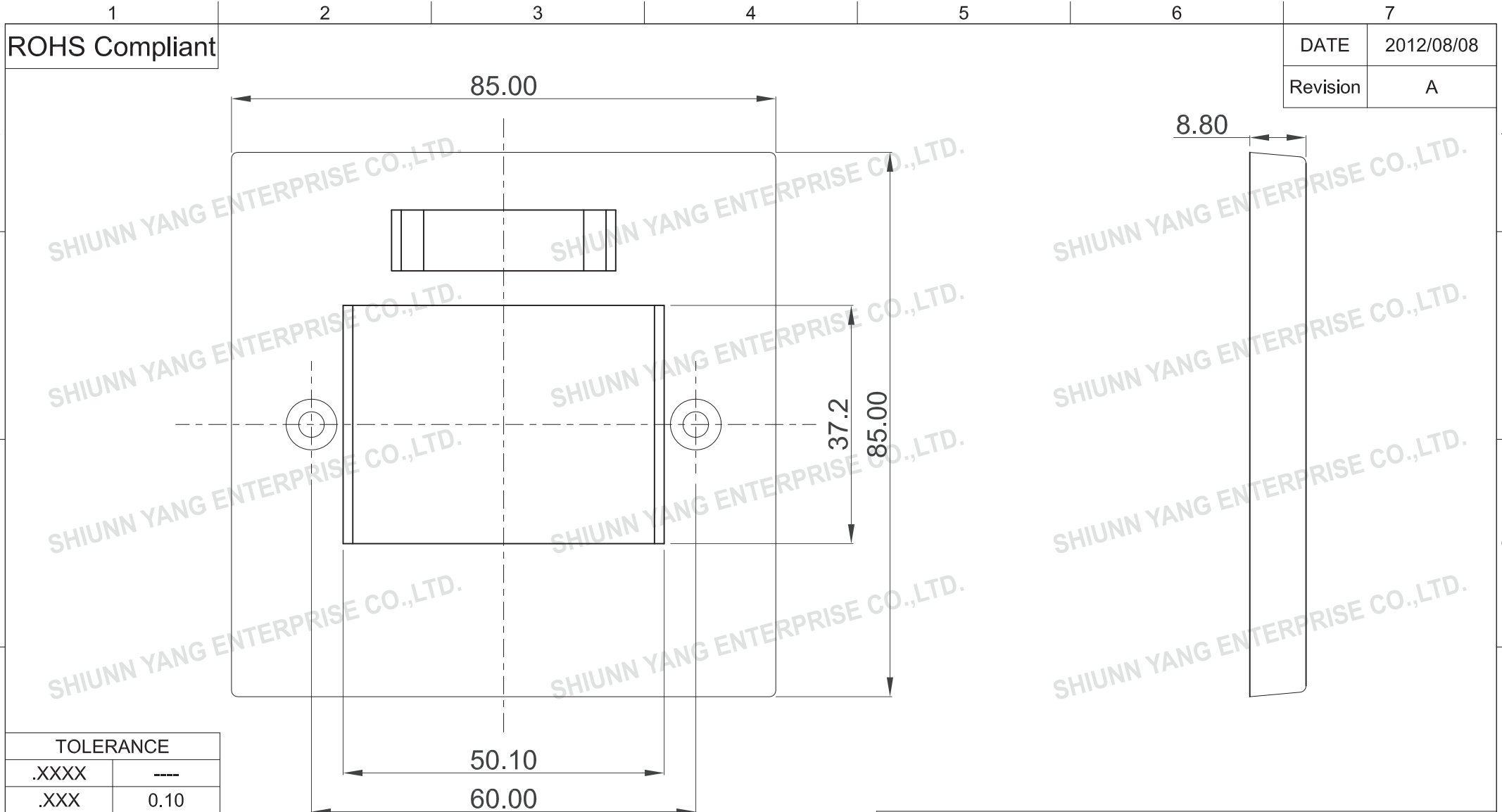
DATE	2012/08/08
Revision	A



TOLERANCE	
.XXXX	----
.XXX	0.10
.XX	0.25
.X	0.38

MATERIAL			
HOUSING	ABS UL-94V-0		
COLOR	<input type="checkbox"/> WHITE <input type="checkbox"/> IVORY		
ENCLOSURE	<input type="checkbox"/> SCREW (3.5x20mm) x 2 <input type="checkbox"/> SCREW (3.5x25mm) x 2 <input type="checkbox"/> SCREW (6x25mm) x 2 <input type="checkbox"/> CLEAR COVER x2, WHITE PAPER(9.5x37mm) x2 <input type="checkbox"/> WHITE COVER <input type="checkbox"/> IVORY COVER		
REV.	DESCRIPTION	ENG.	APPROVAL

<b>P/NO. SY-BS2</b>	
ITEM. Wall Plate	CO. SY
DR. Wakka 2012/08/08	S/N. SY-BS2
APPD. CHKD.	
FILE. SY-BS2	
Shiunn Yang Ent.Co.Ltd. TEL: 29089890 <REP> FAX: 29068849,29088679	
SCALE /	
UNIT mm	SIZE A4



DATE	2012/08/08
Revision	A

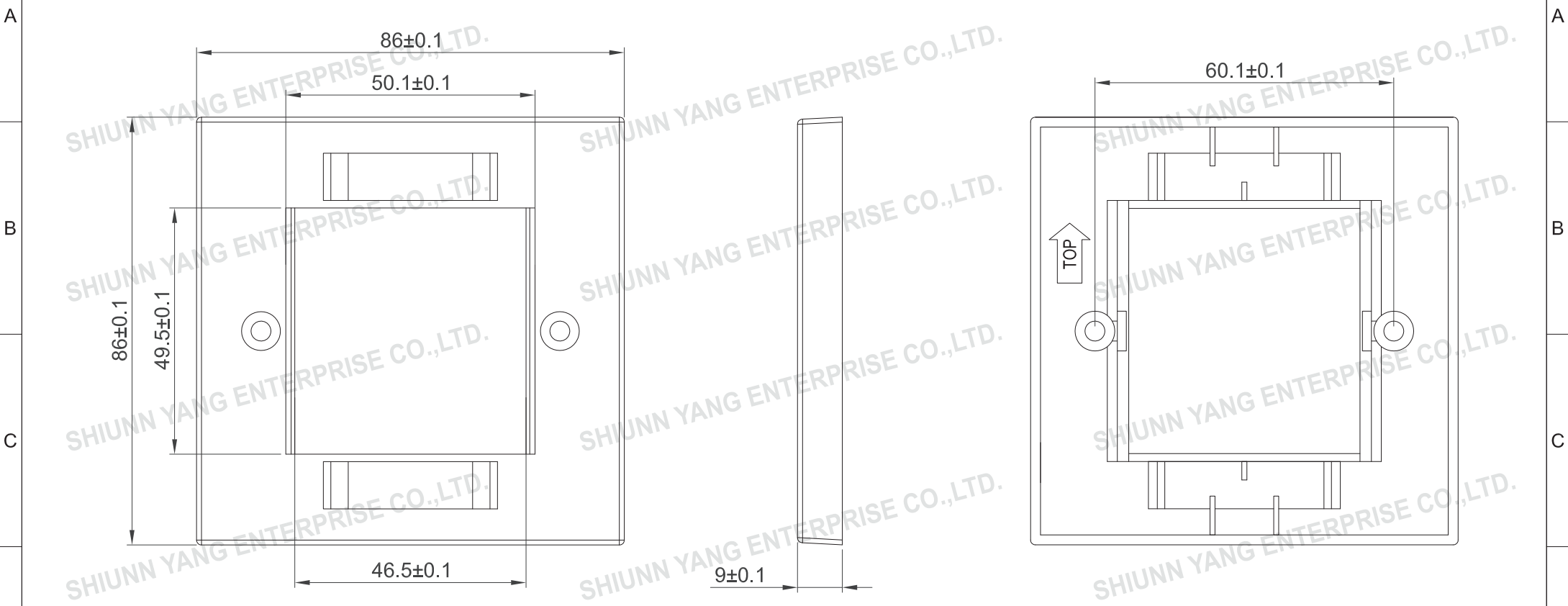
TOLERANCE	
.XXXX	----
.XXX	0.10
.XX	0.25
.X	0.38

MATERIAL			
HOUSING	ABS UL-94V-0	COLOR	<input type="checkbox"/> WHITE <input type="checkbox"/> IVORY
ENCLOSURE	<input type="checkbox"/> SCREW (3.5x20mm) x 2	<input type="checkbox"/> SCREW (3.5x25mm) x 2	<input type="checkbox"/> SCREW (6x25mm) x 2
	9000352000	90035025TP2	7000602500
	<input type="checkbox"/> CLEAR COVER x2, WHITE PAPER(9.5x37mm) x2 <input type="checkbox"/> WHITE COVER <input type="checkbox"/> IVORY COVER		
REV.	DESCRIPTION	ENG.	APPROVAL
1	2	3	4

P/NO. SY-BS3	
ITEM. Wall Plate	CO. SY
S/N. SY-BS3	
DR. Wakka 2012/08/08	APPD.
CHKD.	
 Shiunn Yang Ent.Co.Ltd. TEL: 29089890 <REP> FAX: 29068849,29088679	FILE. SY-BS3
	SCALE /
	UNIT mm SIZE A4
5	6
7	

1 ROHS Compliant

7	DATE	2012/08/23
	Revision	A



TOLERANCE	
.XXXX	----
.XXX	0.10
.XX	0.25
.X	0.38

MATERIAL			
HOUSING	ABS UL-94V-0		
COLOR	<input type="checkbox"/> WHITE <input type="checkbox"/> IVORY		
ENCLOSURE	<input type="checkbox"/> SCREW (3.5x20mm) x 2 <input type="checkbox"/> SCREW (3.5x25mm) x 2 <input type="checkbox"/> SCREW (6x25mm) x 2 9000352000     90035025TP2     7000602500 <input type="checkbox"/> CLEAR COVER x2, WHITE PAPER(9.5x37mm) x2 <input type="checkbox"/> WHITE COVER <input type="checkbox"/> IVORY COVER		
REV.	DESCRIPTION	ENG.	APPROVAL

P/NO.		SY-BS4	
ITEM.	Wall Plate	CO.	SY
S/N.	SY-BS4	DR.	Wakka 2012/08/23
APPD.		CHKD.	
		Shiunn Yang Ent.Co.Ltd. TEL: 29089890 <REP> FAX: 29068849,29088679	
FILE.	SY-BS4	SCALE	/
UNIT	mm	SIZE	A4