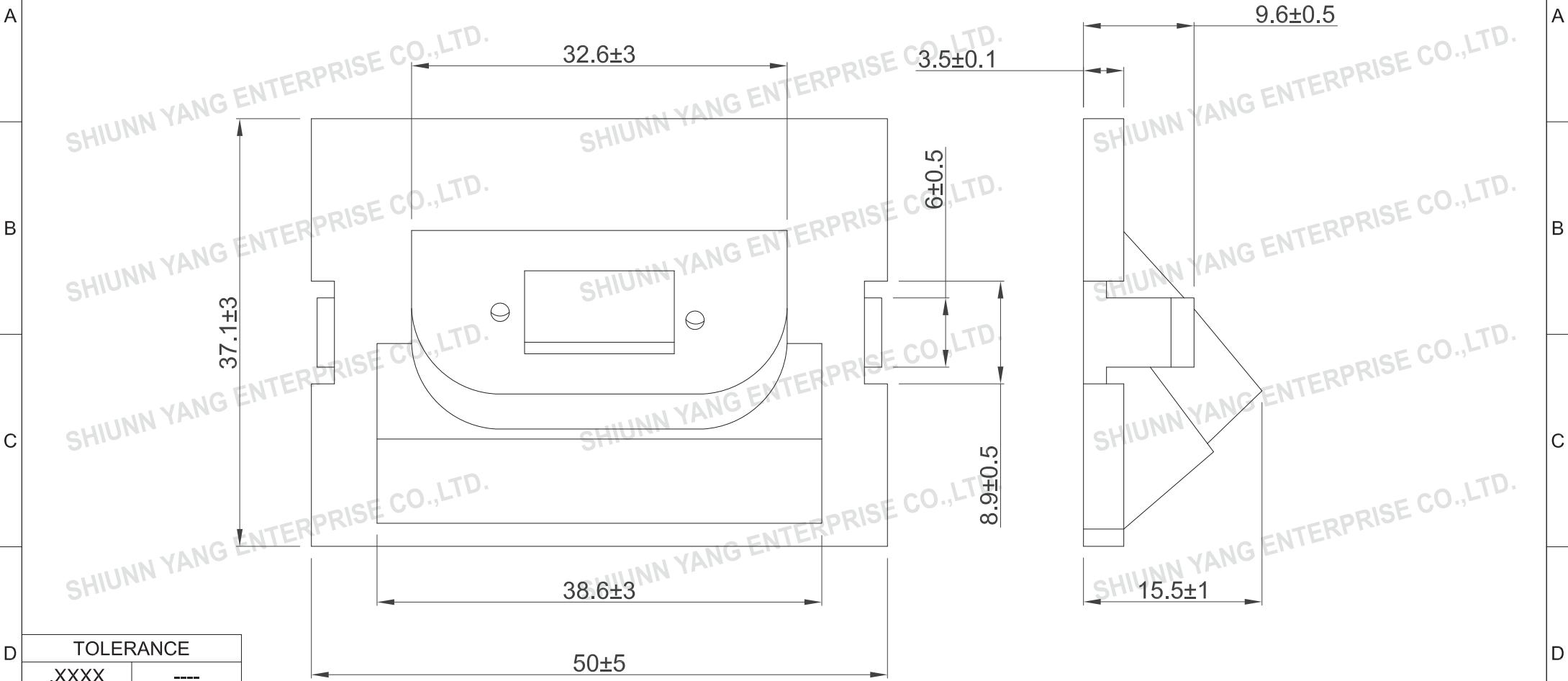


1 ROHS Compliant

7	DATE	2012/08/08
	Revision	A


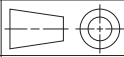


TOLERANCE	
.XXXX	----
.XXX	0.10
.XX	0.25
.X	0.38

MATERIAL	
HOUSING	UL-94-V-0 Fire-Resistance ABS
Description	1.5U 1 port SC / MTRJ / LC (SC Footprint) Snap-in Module, Size: 37x50mm

P/NO. SY-ACM1

ITEM. Wall Plate	CO. SY	S/N. SY-ACM1
DR. Wakka 2012/08/08	APPD.	CHKD.

	Shiunn Yang Ent.Co.Ltd. TEL: 29089890 <REP> FAX: 29068849,29088679	FILE. SY-ACM1
		SCALE / 
		UNIT mm SIZE A4

REV.	DESCRIPTION	ENG.	APPROVAL
1			

A
B
C
D
E

A
B
C
D
E

1 2 3 4 5 6 7