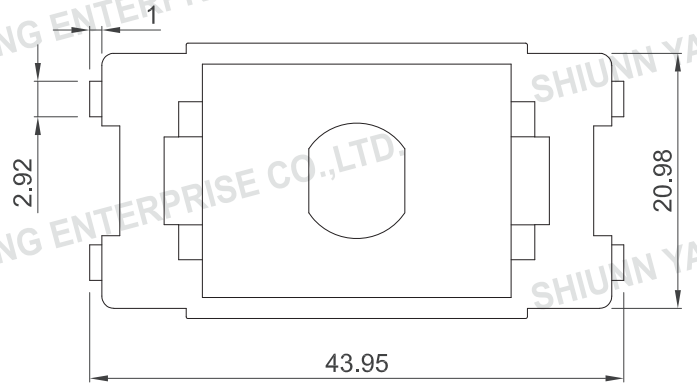
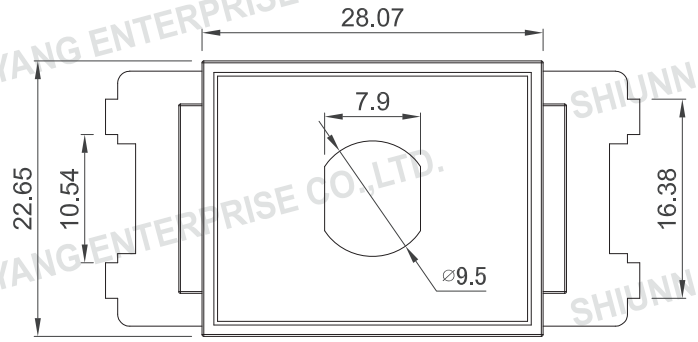
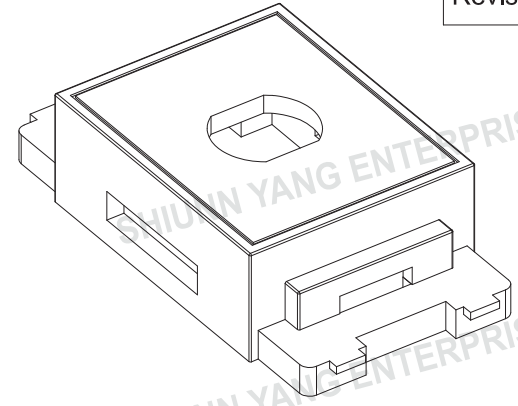
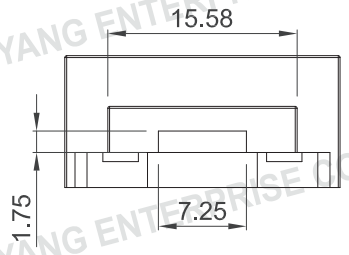
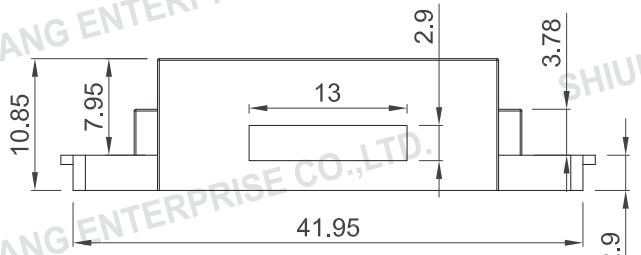


1 ROHS Compliant


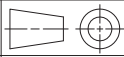
7	DATE	2012/08/15
	Revision	A



TOLERANCE	
.XXXX	---
.XXX	0.10
.XX	0.25
.X	0.38

MATERIAL

UL-94-V-0 Fire-Resistance ABS  
 Snap-in Module Type : ST  
 Standard Color : White

<b>P/NO. SY-NWT-ST</b>				
ITEM. Snap-in Module	CO. SY			
DR. Wakka 2012/08/15	S/N. SY-NWT-ST			
 Shuinn Yang Ent.Co.Ltd. TEL: 29089890 <REP> FAX: 29068849,29088679	APPD.			
	CHKD.			
	FILE. SY-NWT-ST			
REV.	DESCRIPTION	ENG.	APPROVAL	SCALE / 
1	2	3	4	UNIT mm SIZE A4

REV.	DESCRIPTION	ENG.	APPROVAL
1	2	3	4