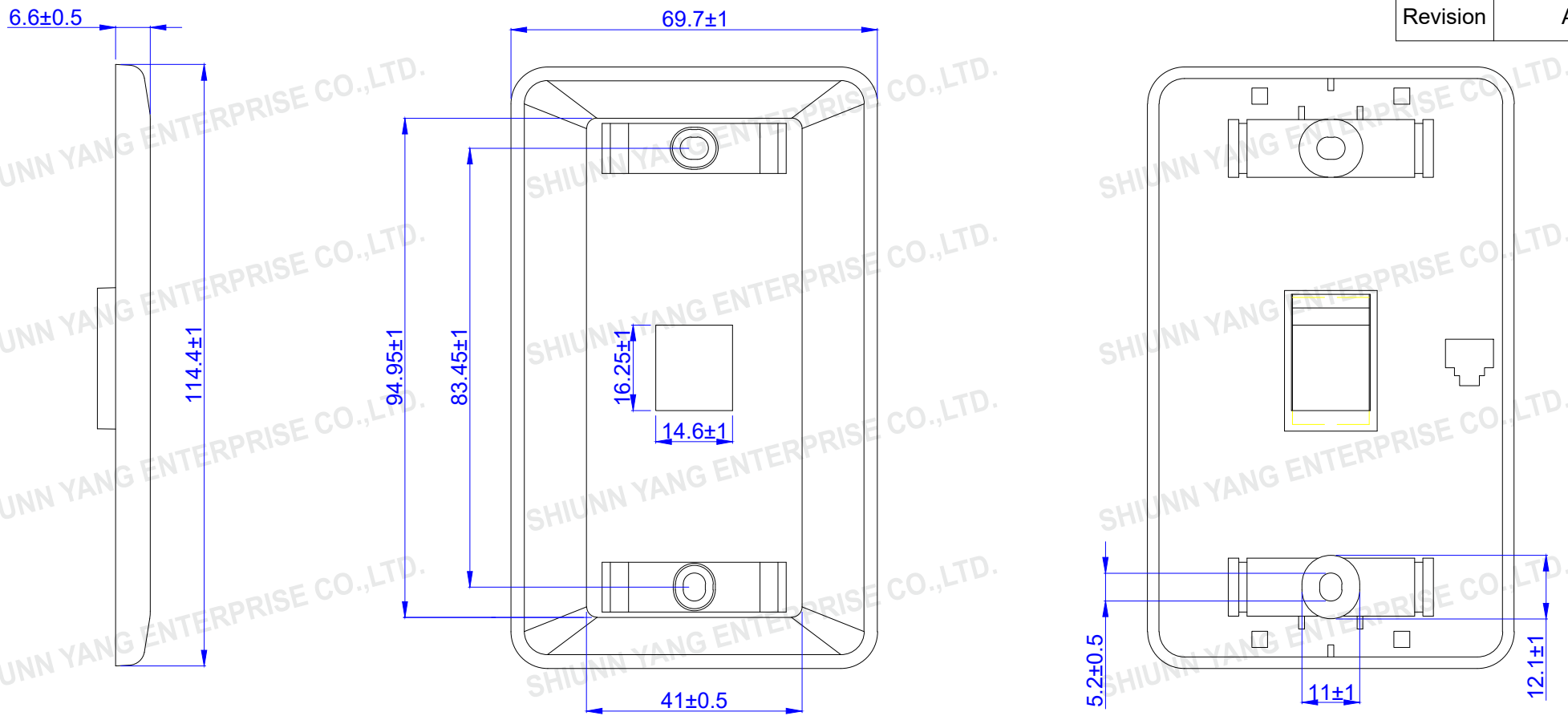


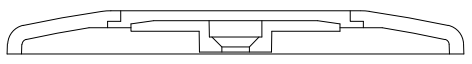
ROHS Compliant

DATE	2012/07/23
Revision	A



SHIUNN YANG ENTERPRISE CO.,LTD.

TOLERANCE	
.XXXX	----
.XXX	0.10
.XX	0.25
.X	0.38



P/NO.		SY-S1	
ITEM.	Wall Plate	CO.	SY
S/N.	SY-S1	DR.	Wakka 2012/07/23
APPD.		CHKD.	
FILE.	SY-S1	SCALE	/
UNIT	mm	SIZE	A4

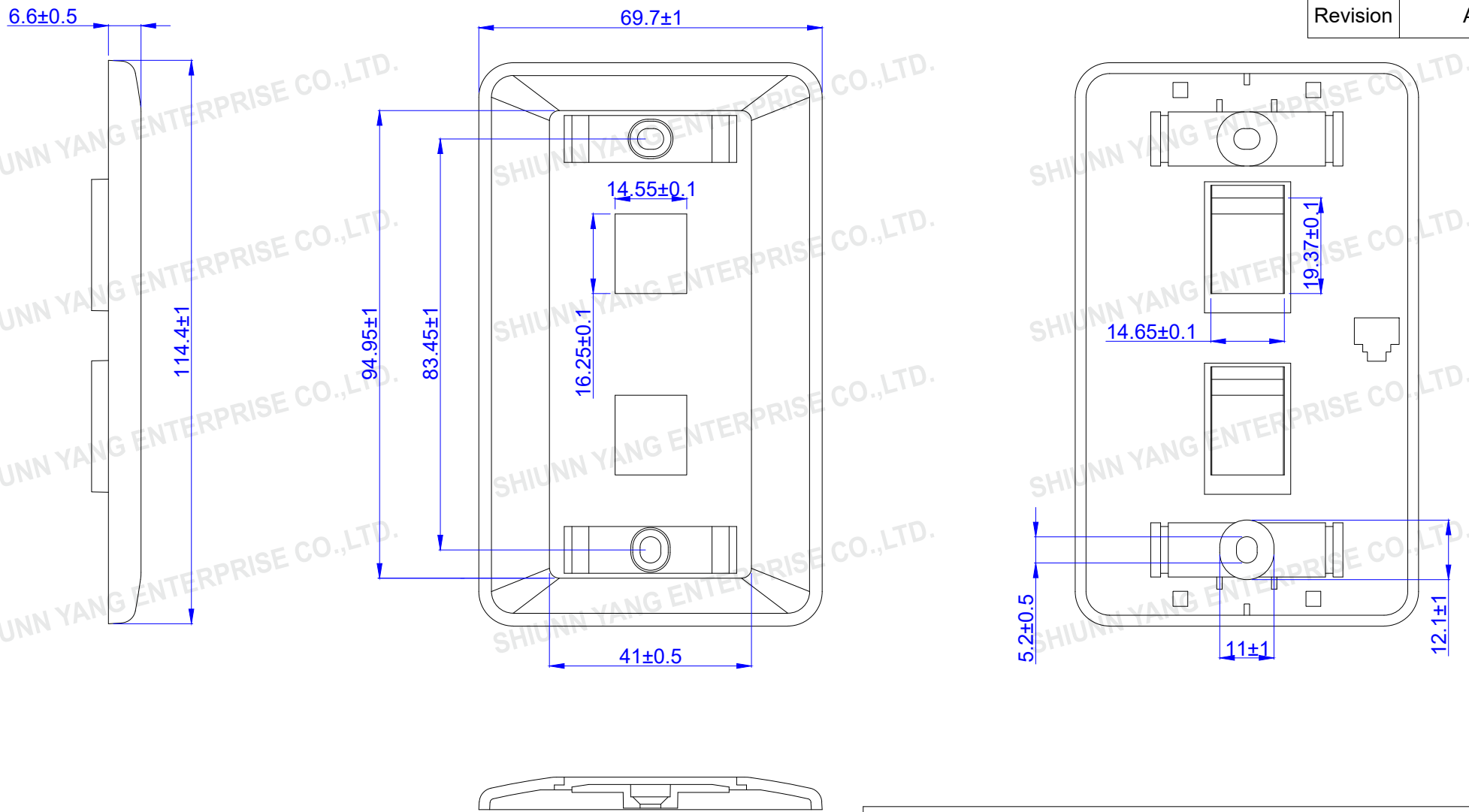
MATERIAL			
HOUSING	ABS UL-94V-0	COLOR	<input type="checkbox"/> WHITE <input type="checkbox"/> IVORY
ENCLOSURE	<input type="checkbox"/> SCREW (3.5x20mm) x 2 <input type="checkbox"/> SCREW (3.5x25mm) x 2 <input type="checkbox"/> SCREW (6x25mm) x 2 <input type="checkbox"/> CLEAR COVER x2, WHITE PAPER(9.5x37mm) x2 <input type="checkbox"/> WHITE COVER <input type="checkbox"/> IVORY COVER		
REV.	DESCRIPTION	ENG.	APPROVAL



Shiunn Yang Ent.Co.Ltd.
 TEL: 29089890 <REP>
 FAX: 29068849,29088679

ROHS Compliant

DATE	2018/1/26
Revision	A



P/NO. SY-S2

MATERIAL			
HOUSING	ABS UL-94V-0	COLOR	<input type="checkbox"/> WHITE <input type="checkbox"/> IVORY
ENCLOSURE	<input type="checkbox"/> SCREW (3.5x20mm) x 2	<input type="checkbox"/> SCREW (3.5x25mm) x 2	<input type="checkbox"/> SCREW (6x25mm) x 2
	9000352000	90035025TP2	7000602500
	<input type="checkbox"/> CLEAR COVER x2, WHITE PAPER(9.5x37mm) x2 <input type="checkbox"/> WHITE COVER <input type="checkbox"/> IVORY COVER		
REV.	DESCRIPTION	ENG.	APPROVAL

ITEM.	Wall Plate	CO.	SY	S/N.	SY-S2
DR.	billy 2018/1/26	APPD.		CHKD.	

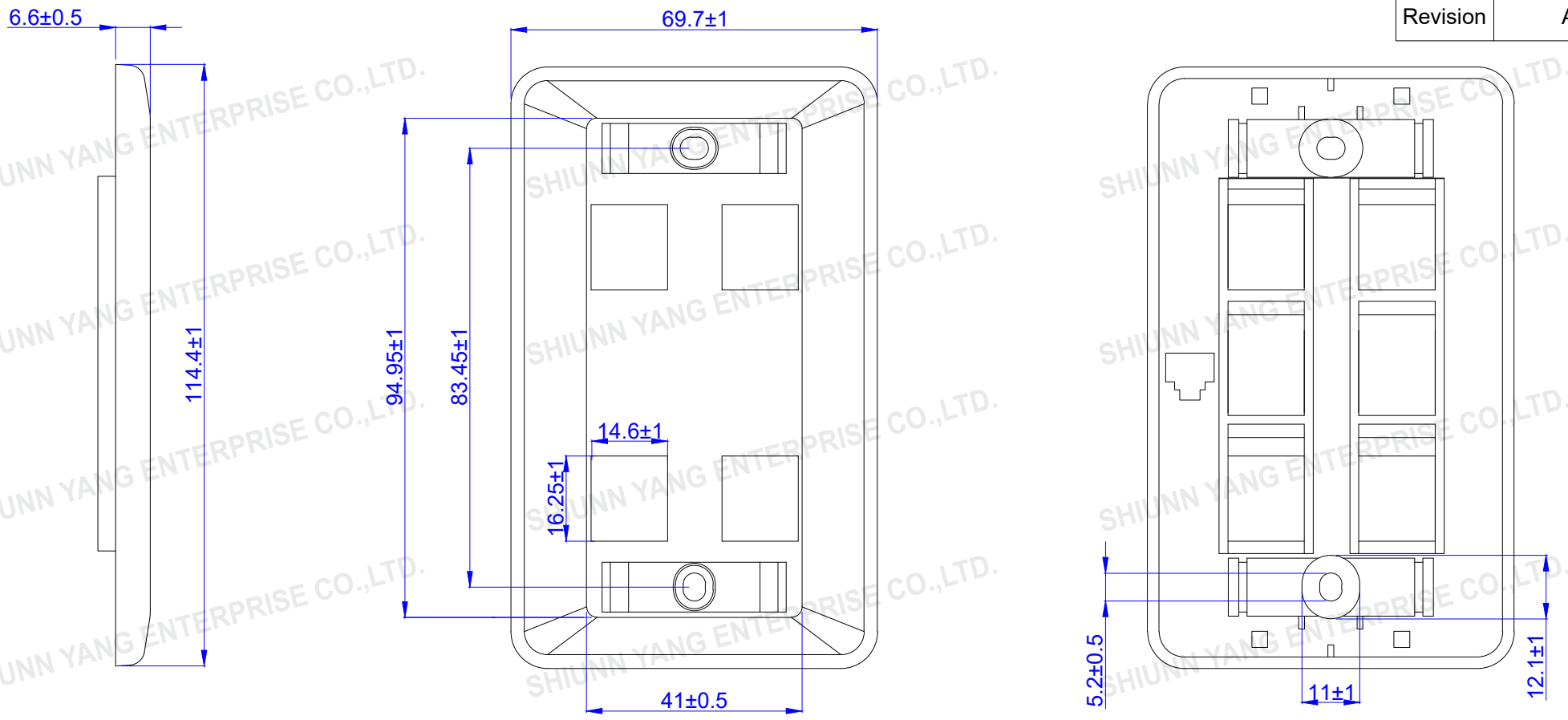


Shiunn Yang Ent.Co.Ltd.
 TEL: 29089890 <REP>
 FAX: 29068849,29088679

FILE.	SY-S2
SCALE	/
UNIT	mm
	SIZE A4

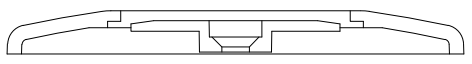
ROHS Compliant


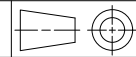
DATE	2012/07/23
Revision	A






SHIUNN YANG ENTERPRISE CO.,LTD.

TOLERANCE	
.XXXX	----
.XXX	0.10
.XX	0.25
.X	0.38



P/NO.		SY-S4	
ITEM. Wall Plate	CO. SY	S/N. SY-S4	
DR. Wakka 2012/07/23	APPD.	CHKD.	
 Shiunn Yang Ent.Co.Ltd. TEL: 29089890 <REP> FAX: 29068849,29088679		FILE. SY-S4	
		SCALE /	
		UNIT mm	SIZE A4

MATERIAL			
HOUSING	ABS UL-94V-0	COLOR	<input type="checkbox"/> WHITE <input type="checkbox"/> IVORY
ENCLOSURE	<input type="checkbox"/> SCREW (3.5x20mm) x 2	<input type="checkbox"/> SCREW (3.5x25mm) x 2	<input type="checkbox"/> SCREW (6x25mm) x 2
	 9000352000	 90035025TP2	 7000602500
	<input type="checkbox"/> CLEAR COVER x2, WHITE PAPER(9.5x37mm) x2 <input type="checkbox"/> WHITE COVER <input type="checkbox"/> IVORY COVER		
REV.	DESCRIPTION	ENG.	APPROVAL

