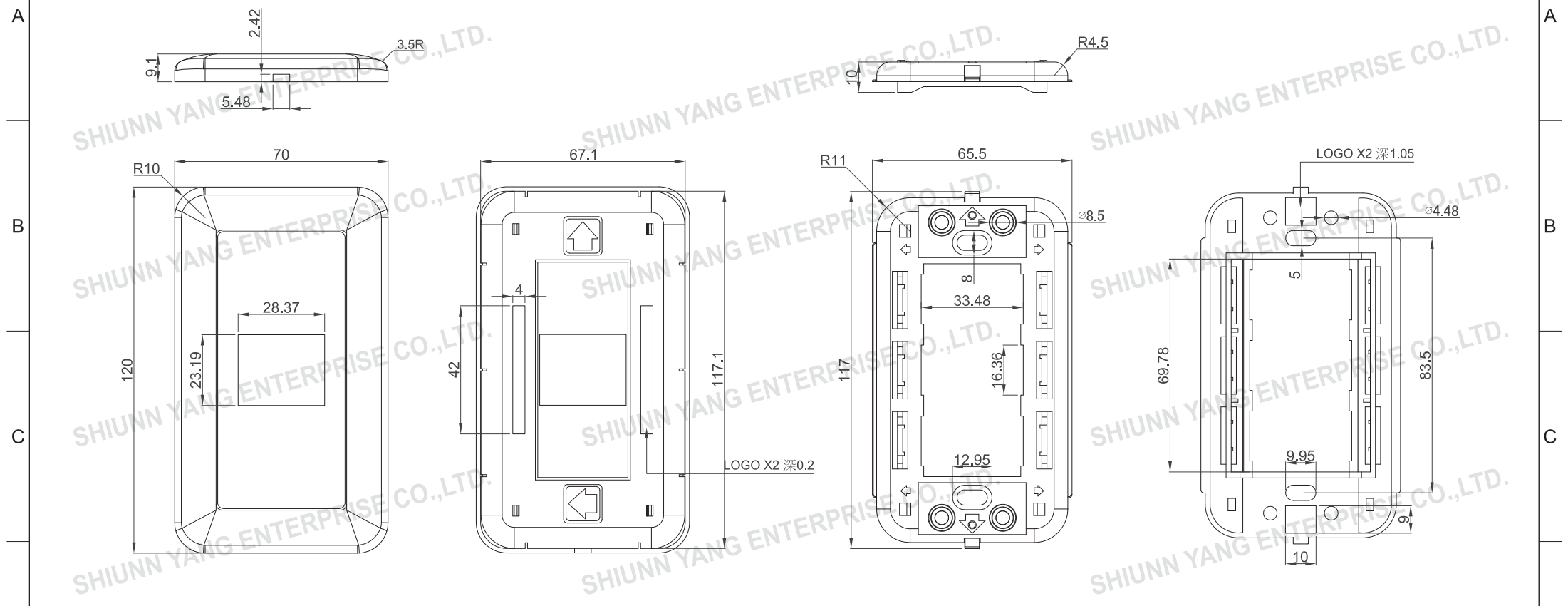


1 ROHS Compliant

7	DATE	2012/08/17
	Revision	A



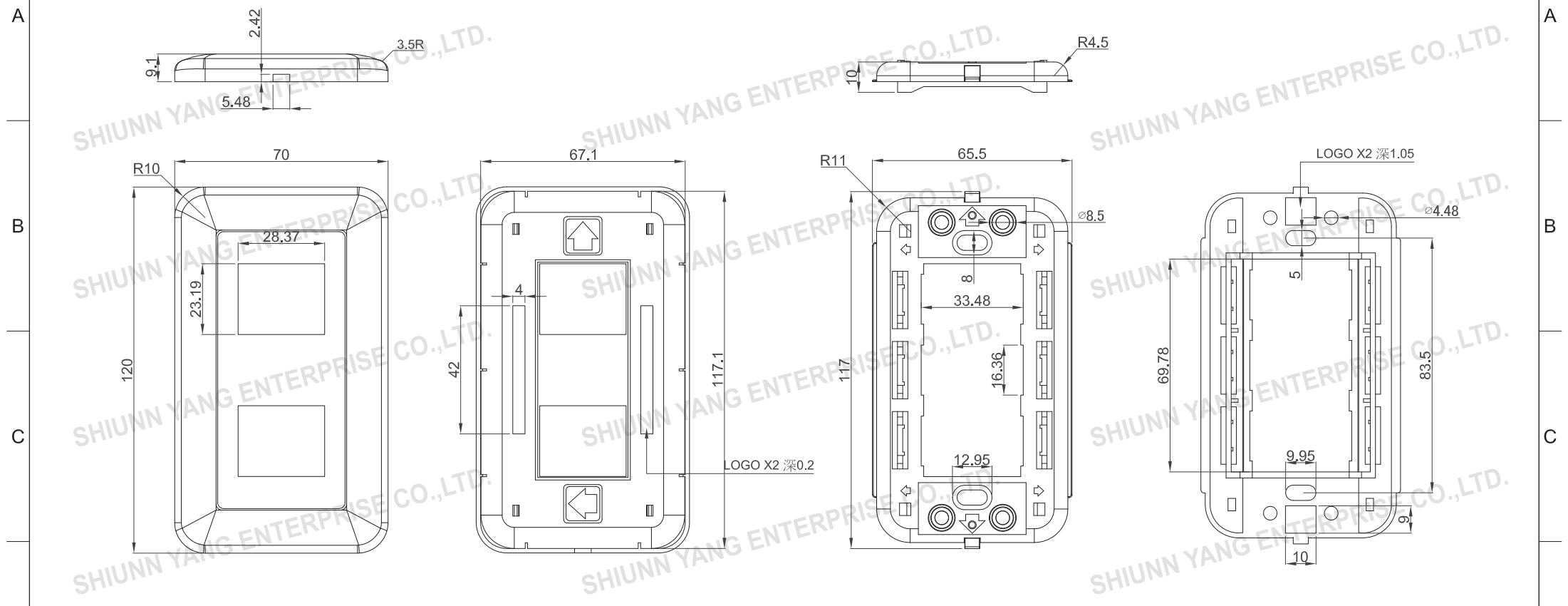
TOLERANCE	
.XXXX	----
.XXX	0.10
.XX	0.25
.X	0.38

MATERIAL			
HOUSING	ABS UL-94V-0	COLOR	<input type="checkbox"/> WHITE <input type="checkbox"/> IVORY
ENCLOSURE	<input type="checkbox"/> SCREW (3.5x20mm) x 2	<input type="checkbox"/> SCREW (3.5x25mm) x 2	<input type="checkbox"/> SCREW (6x25mm) x 2
	9000352000	90035025TP2	7000602500
	<input type="checkbox"/> CLEAR COVER x2, WHITE PAPER(9.5x37mm) x2 <input type="checkbox"/> WHITE COVER <input type="checkbox"/> IVORY COVER		
REV.	DESCRIPTION	ENG.	APPROVAL
1	2	3	4

P/NO.		SY-N10-1	
ITEM.	Wall Plate	CO.	SY
S/N.	SY-N10-1	APPD.	CHKD.
DR.	Wakka 2012/08/17	FILE.	SY-N10-1
	Shiunn Yang Ent.Co.Ltd.		
	TEL: 29089890 <REP> FAX: 29068849,29088679		
UNIT	mm	SCALE	SIZE A4
5	6	7	


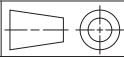
1 ROHS Compliant

7	DATE	2012/08/17
	Revision	A



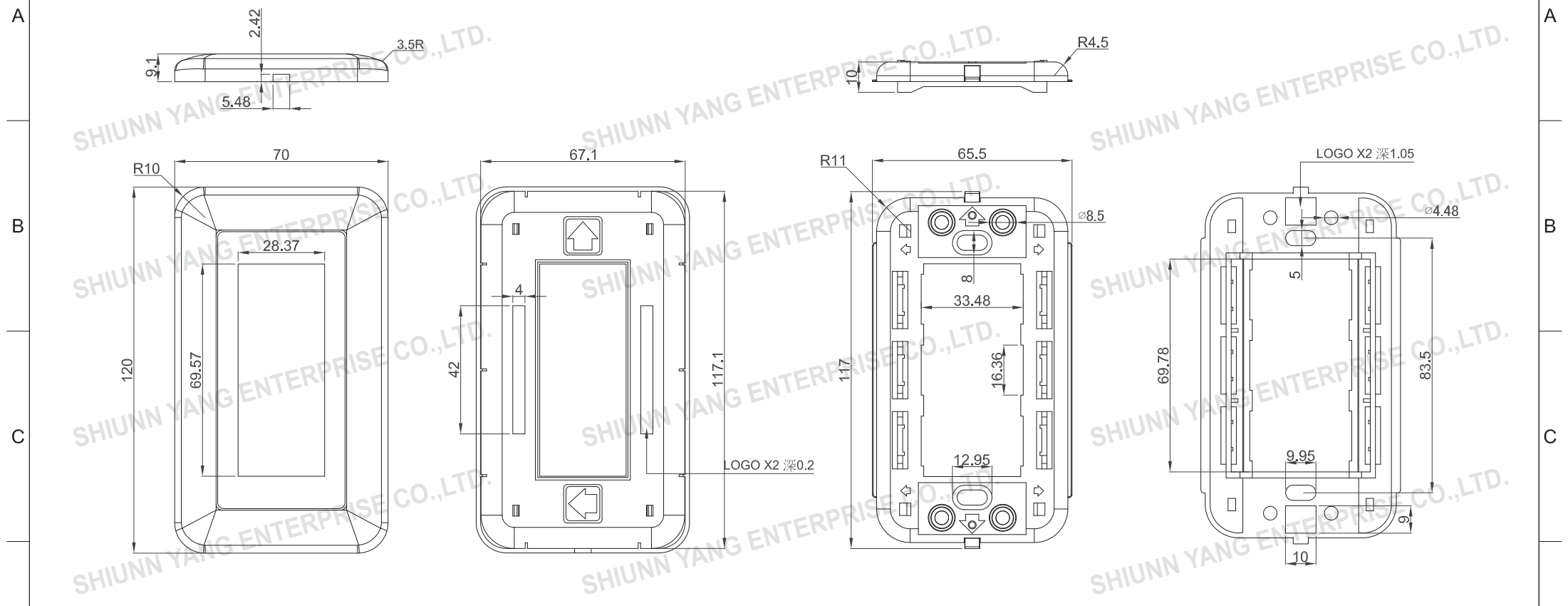
TOLERANCE	
.XXXX	---
.XXX	0.10
.XX	0.25
.X	0.38

MATERIAL			
HOUSING	ABS UL-94V-0	COLOR	<input type="checkbox"/> WHITE <input type="checkbox"/> IVORY
ENCLOSURE	<input type="checkbox"/> SCREW (3.5x20mm) x 2	<input type="checkbox"/> SCREW (3.5x25mm) x 2	<input type="checkbox"/> SCREW (6x25mm) x 2
	<input type="checkbox"/> CLEAR COVER x2, WHITE PAPER(9.5x37mm) x2	<input type="checkbox"/> WHITE COVER	<input type="checkbox"/> IVORY COVER
REV.	DESCRIPTION	ENG.	APPROVAL

P/NO. SY-N10-2	
ITEM. Wall Plate	CO. SY
DR. Wakka 2012/08/17	S/N. SY-N10-2
APPD. CHKD.	
FILE. SY-N10-2	
 Shunn Yang Ent.Co.Ltd. TEL: 29089890 <REP> FAX: 29068849,29088679	SCALE / 
	UNIT mm SIZE A4


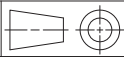
1 ROHS Compliant

7	DATE	2012/08/17
	Revision	A



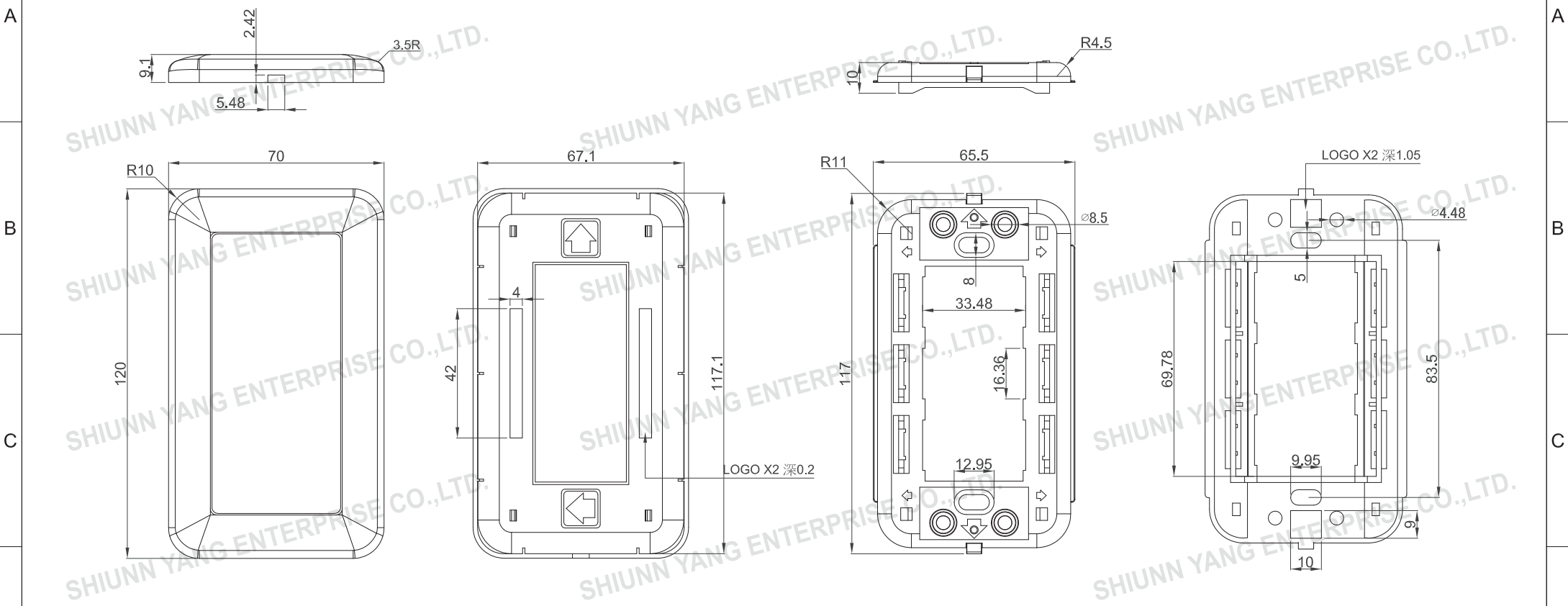
TOLERANCE	
.XXXX	---
.XXX	0.10
.XX	0.25
.X	0.38

MATERIAL	
HOUSING	ABS UL-94V-0
COLOR	<input type="checkbox"/> WHITE <input type="checkbox"/> IVORY
ENCLOSURE	<input type="checkbox"/> SCREW (3.5x20mm) x 2 <input type="checkbox"/> SCREW (3.5x25mm) x 2 <input type="checkbox"/> SCREW (6x25mm) x 2 <input type="checkbox"/> CLEAR COVER x2, WHITE PAPER(9.5x37mm) x2 <input type="checkbox"/> WHITE COVER <input type="checkbox"/> IVORY COVER <input type="checkbox"/> 9000352000 <input type="checkbox"/> 90035025TP2 <input type="checkbox"/> 7000602500
REV.	DESCRIPTION
1	2
3	4

<b>P/NO. SY-N10-3</b>	
ITEM. Wall Plate	CO. SY
S/N. SY-N10-3	
DR. Wakka 2012/08/17	APPD.
CHKD.	
FILE. SY-N10-3	
 Shiunn Yang Ent.Co.Ltd. TEL: 29089890 <REP> FAX: 29068849,29088679	SCALE /  UNIT mm    SIZE A4


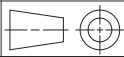
ROHS Compliant

DATE	2012/08/17
Revision	A



TOLERANCE	
.XXXX	---
.XXX	0.10
.XX	0.25
.X	0.38

MATERIAL	
HOUSING	ABS UL-94V-0
COLOR	<input type="checkbox"/> WHITE <input type="checkbox"/> IVORY
ENCLOSURE	<input type="checkbox"/> SCREW (3.5x20mm) x 2 <input type="checkbox"/> SCREW (3.5x25mm) x 2 <input type="checkbox"/> SCREW (6x25mm) x 2 <input type="checkbox"/> CLEAR COVER x2, WHITE PAPER(9.5x37mm) x2 <input type="checkbox"/> WHITE COVER <input type="checkbox"/> IVORY COVER <input type="checkbox"/> 9000352000 <input type="checkbox"/> 90035025TP2 <input type="checkbox"/> 7000602500
REV.	DESCRIPTION
1	2
3	4
5	APPROVAL

P/NO. SY-N10-O	
ITEM. Wall Plate	CO. SY
S/N. SY-N10-O	
DR. Wakka 2012/08/17	APPD. CHKD.
 Shiunn Yang Ent.Co.Ltd. TEL: 29089890 <REP> FAX: 29068849,29088679	FILE. SY-N10-O
	SCALE / 
	UNIT mm SIZE A4