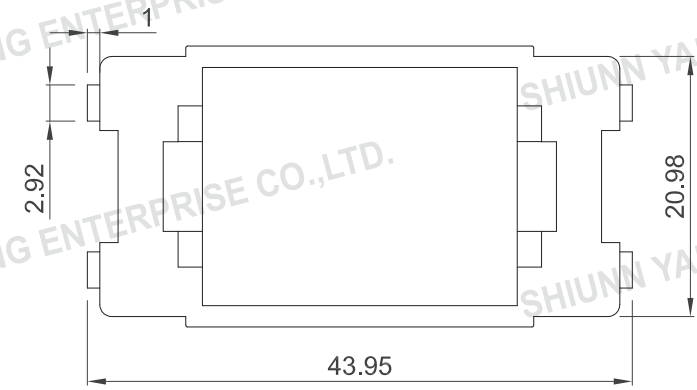
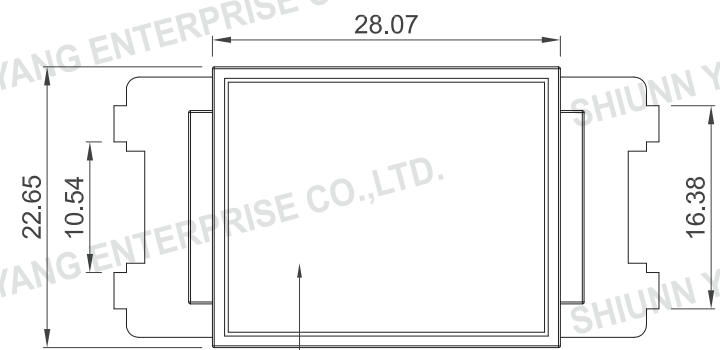
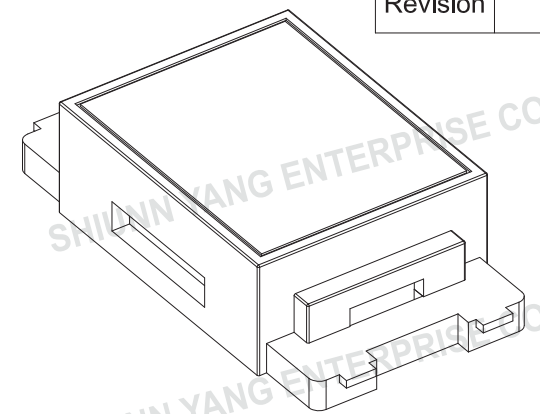
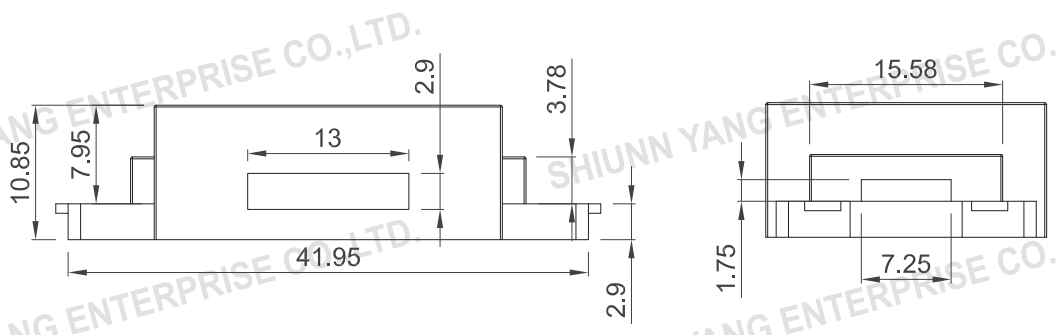


1 ROHS Compliant

7 DATE	2012/08/15
Revision	A



BLANK 空白板

TOLERANCE	
.XXXX	---
.XXX	0.10
.XX	0.25
.X	0.38

MATERIAL			
UL-94-V-0 Fire-Resistance ABS			
Snap-in Module Type : O			
Standard Color : White			

P/NO. SY-NWT-O	
ITEM. Snap-in Module	CO. SY
DR. Wakka 2012/08/15	APPD.
S/N. SY-NWT-O	
CHKD.	
FILE. SY-NWT-O	
SCALE /	
UNIT mm	SIZE A4

REV.	DESCRIPTION	ENG.	APPROVAL
1	2	3	4



Shiunn Yang Ent.Co.Ltd.
 TEL: 29089890 <REP>
 FAX: 29068849,29088679