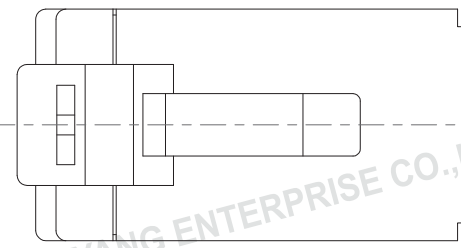


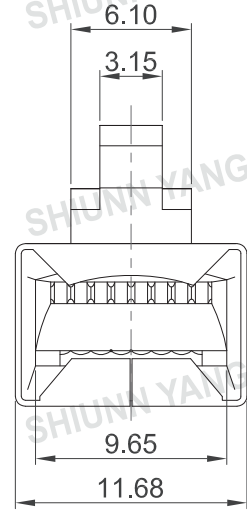
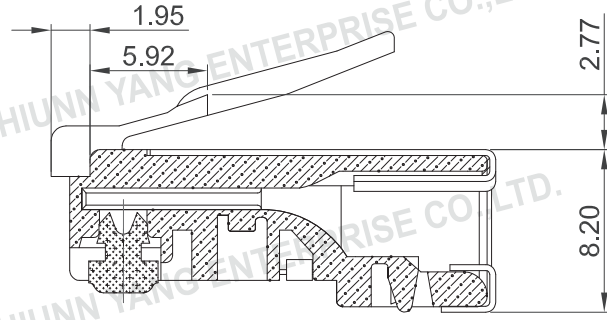
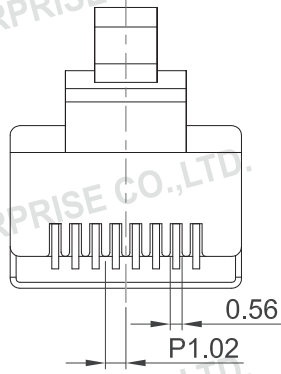
1 ROHS Compliant

7	DATE	2012/07/16
	Revision	A

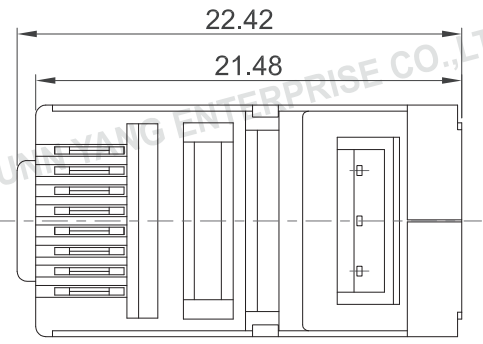
A



B



C



D

TOLERANCE	
.XXXX	----
.XXX	0.10
.XX	0.25
.X	0.38

E

HOUSING		<input checked="" type="checkbox"/> PC UL94V-0 <input type="checkbox"/> PC UL94V-2		MATERIAL	
CONTACT		PHOSPHOR BRONZE FINE GOLD PLATED OVER NICKEL		TYPE OF PLUG <input checked="" type="checkbox"/> SHIELD <input type="checkbox"/> UNSHIELD GOLD-PLATING <input type="checkbox"/> 0.15U M/6U" MINIMUM <input type="checkbox"/> 0.38U M/15U" MINIMUM <input type="checkbox"/> 0.76U M/30U" MINIMUM <input checked="" type="checkbox"/> 1.27U M/50U" MINIMUM	
APPLICATION		<input type="checkbox"/> UTP CAT.5E <input type="checkbox"/> UTP CAT.6 <input checked="" type="checkbox"/> STP CAT.5E <input type="checkbox"/> STP CAT.6			
		<input type="checkbox"/> SOLID <input checked="" type="checkbox"/> STRANDED			
REV.	DESCRIPTION	ENG.	APPROVAL		
1	2	3	4		

P/NO. SY-FRJ-45-1

ITEM. Modular Plug	CO. SY	S/N. SY-FRJ-45-1
DR. Wakka 2012/07/16	APPD.	CHKD.



Shiunn Yang Ent.Co.Ltd.  
 TEL: 29089890 <REP>  
 FAX: 29068849,29088679

FILE. SY-FRJ-45-1	SCALE /
UNIT mm	SIZE A4

A

B

C

D

E