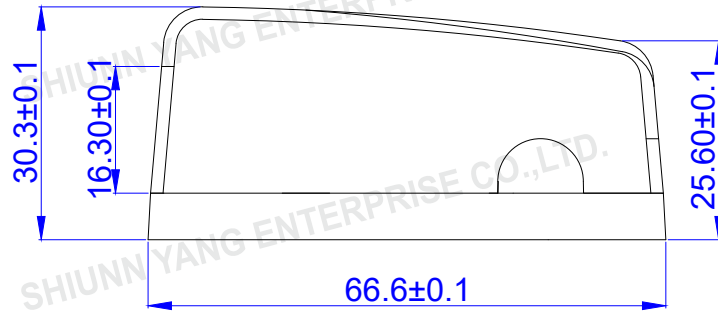
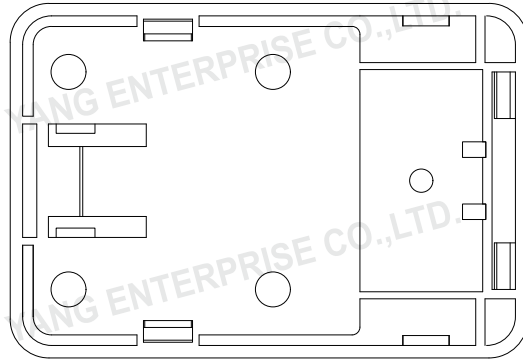
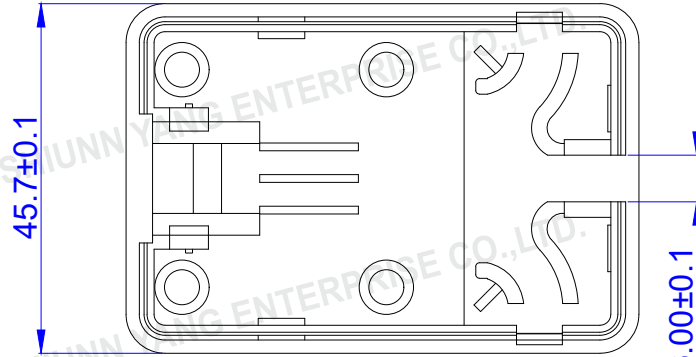
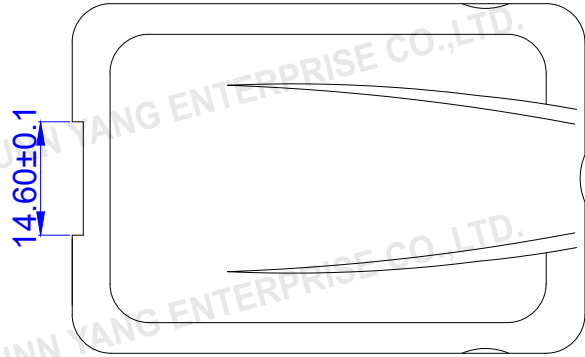


ROHS Compliant

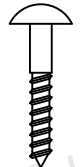
DATE	2019/10/2
Revision	A



ACCESSORY:

41mm X 58mm X 2mm
Double-sided adhesive x1

6 X 19mm
Tapping Screws
(7000601900 x2)



TOLERANCE

.XXX	0.10
.XX	0.25
.X	0.38

MATERIAL

HOUSING ABS UL94V-0

ACCESSORY 6mm X 19mm Tapping Screws

41mm X 58mm X 2mm Double-sided adhesive

P/NO. SY-DVO-1

ITEM. CO. SY S/N. SY-DVO-1

DR. APPD. Sweet 2019/10/2 CHKD.



Shiunn Yang Ent.Co.Ltd.
TEL: 29089890 <REP>
FAX: 29088679

FILE. SY-DVO-1

SCALE /

UNIT mm SIZE A4

REV.	DESCRIPTION	ENG.	APPROVAL
------	-------------	------	----------

1 2 3 4 5 6 7