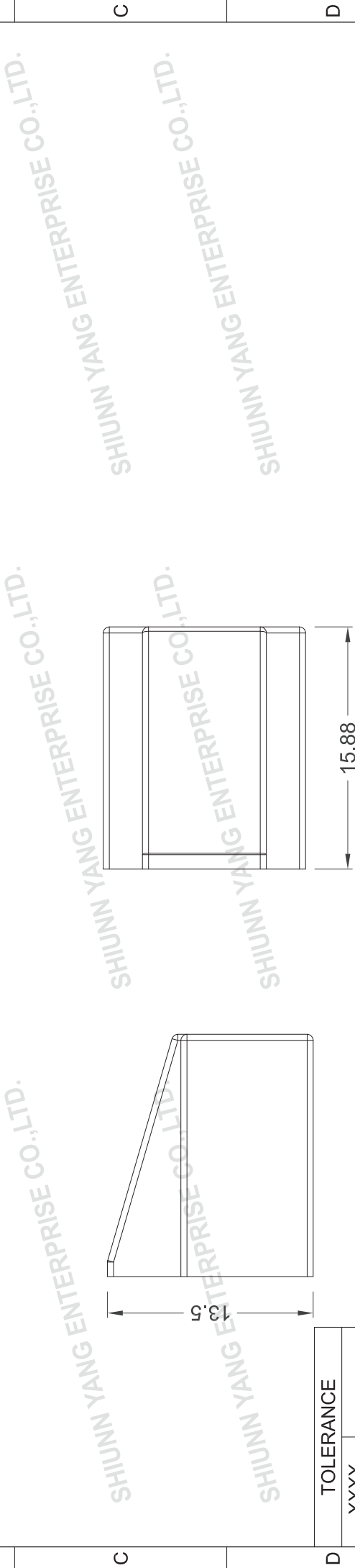
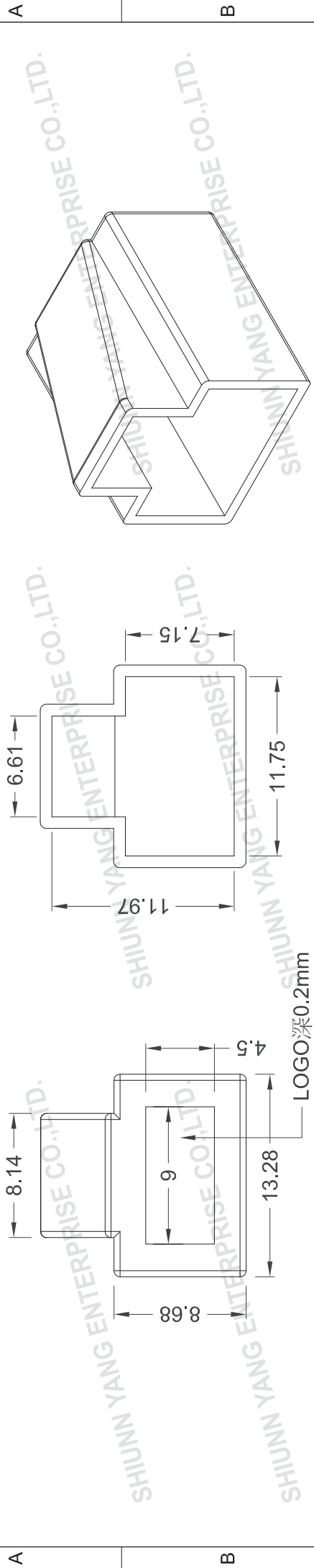



DATE	2012/06/19
Revision	A

ROHS Compliant							
----------------	--	--	--	--	--	--	--



TOLERANCE	
.XXXX	----
.XXX	0.10
.XX	0.25
.X	0.38

P/NO. SY-RJ-PP-XX

ITEM.	Boot	CO.	SY	S/N.	SY-RJ-PP-XX
DR.	Wakka 2012/06/19	APPD.		CHKD.	
					
Shiuinn Yang Ent.Co.Ltd. TEL: 29089890 <REP> FAX: 29068849,29088679					
FILE.	SY-RJ-PP-XX				
SCALE	/	UNIT	mm	SIZE	A4
REV.	1	2	3	4	7
HOUSING		PVC, UL 94-V0		MATERIAL	
DESCRIPTION		ENG.		APPROVAL	