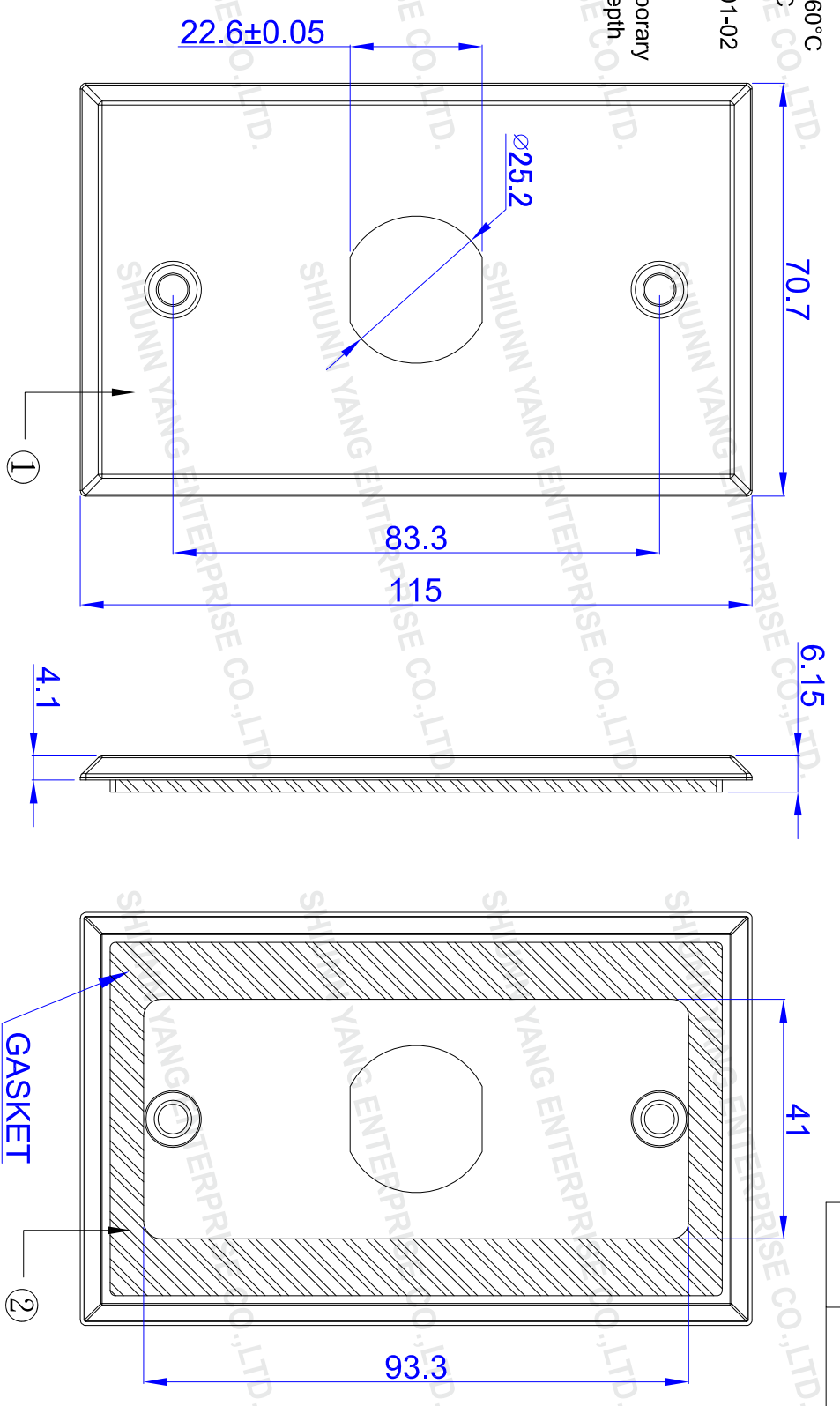


# ROHS Compliant

## PHYSICAL CHARACTERISTICS :

- Operating temperature : -10°C~+60°C
- Storage temperature:-40°C~+68°C
- IP67 :
- ACCORDING TO IEC 60529 : 2001-02
- Degrees of Protection :  
Totally protected against dust  
Protected against the effect of temporary immersion for 30 min. in 1-meter depth of water



TOLERANCE	
.XXXX	----
.XXX	0.10
.XX	0.25
.X	0.38

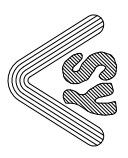
MATERIAL

①	SHILED FRAME	Stainless Steel
②	BACK GASKET	RUBBER
③	ENCLOSURE	SCREW X 2 PCS SCREW WASHER X 2 PCS

DATE	2017/01/16
Revision	B

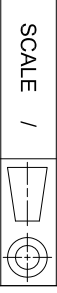
**P/NO. SY-WPB55S-1**

ITEM, IP67 Waterproof	CO.	SY	S/N.	SY-WPB55S-1
DR. Mark 2017/01/16	APPD.		CHKD.	



Shiunn Yang Ent. Co. Ltd.  
TEL: 29089890 <REP>  
FAX: 29068849, 29088679

FILE. SY-WPB55S-1



SCALE / UNIT mm SIZE A4