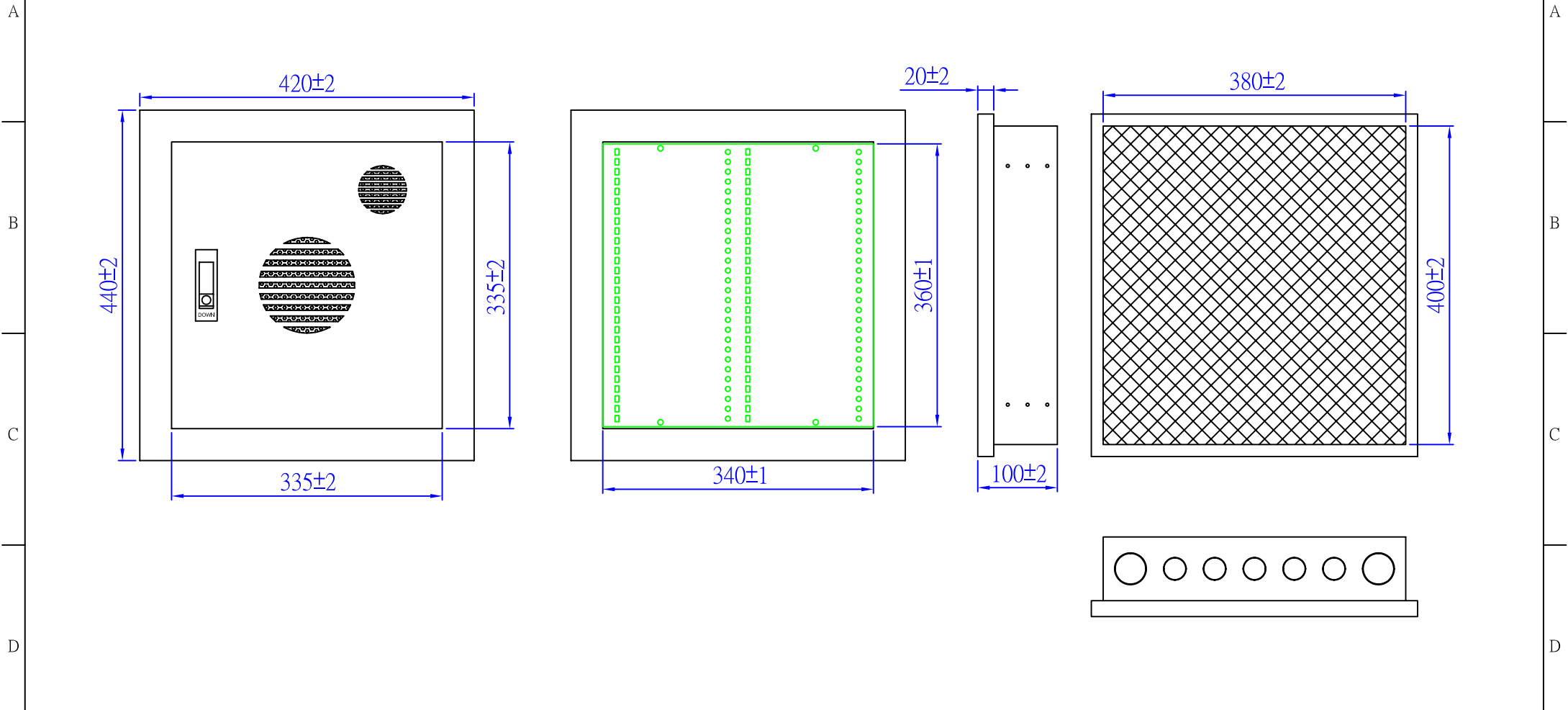


ROHS Compliant

Date	2011/03/28
Revision	F



MATERIAL

IRON

P/NO. SYH-4040-BOX

ITEM

DR. Breaker2010/11/15

CO. SY

S/N. SYH-4040-BOX


APPD.

CHKD.

FILE. SYH-4040-BOX

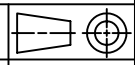
SCALE /

APPROVAL



Shiunn Yang Ent.Co.Ltd.  
 TEL: 29089890 <REP>  
 FAX: 29068849,29088679

UNIT mm



SIZE A4

REV. DESCRIPTION ENG. APPROVAL

1 2 3 4 5 6 7