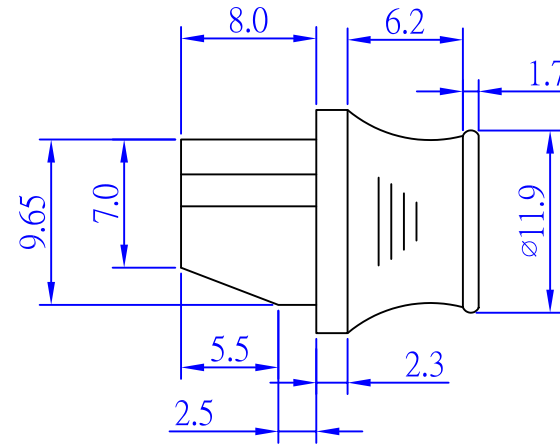
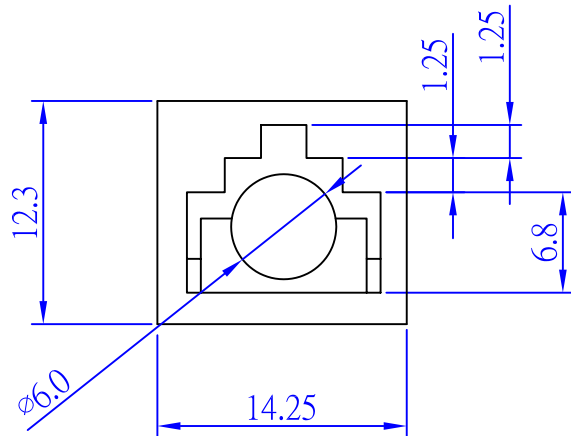
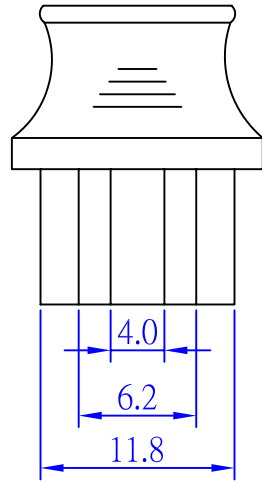


ROHS Compliant


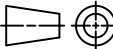
Date	2009/10/09
Revision	C



TOLERANCE	
.XXXX	----
.XXX	0.10
.XX	0.25
.X	0.5

P/NO. SY-RJ-SP-WH

MATERIAL		TITLE. Modular jack protector	
HOUSING	PVC(WHITE)	CO.	FILE. SY-RJ-SP-BK
		DR. Breaker2009/10/09	APPD.
REV.	DESCRIPTION	ENG.	APPROVAL

 Shium Yang Ent.Co.Ltd. TEL: 29089890 <REP> FAX: 29068849,29088679		SCALE /	
		UNIT mm	SIZE A4
		SHEET	REV.