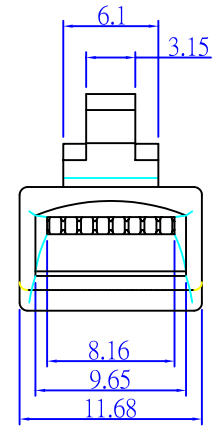
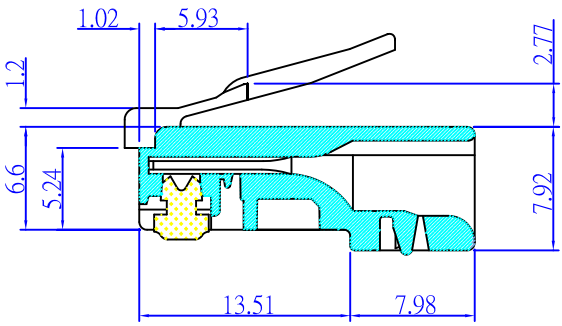
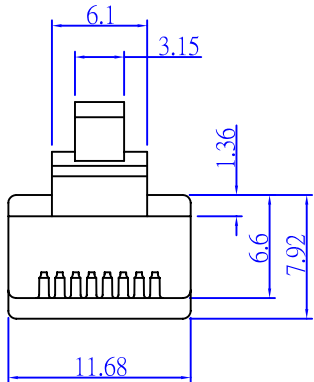
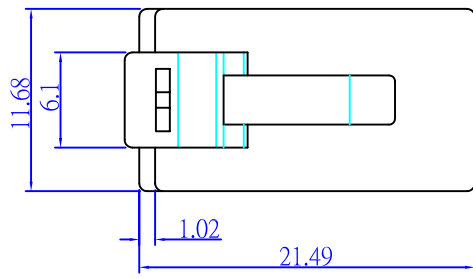
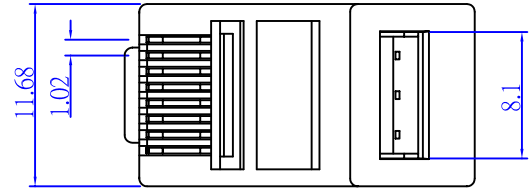
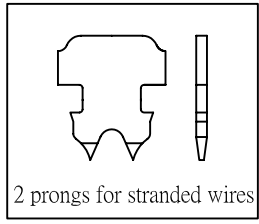


ROHS Compliant

| | |
|----------|------------|
| Date | 2010/04/13 |
| Revision | A |



PLUG 8P8C-R



| TOLERANCE | |
|-----------|------|
| .XXXX | --- |
| .XXX | 0.10 |
| .XX | 0.25 |
| .X | 0.38 |

P/NO. SY-RJ-45-1

| SPECIFICATIONS | | | |
|----------------|--|--------------|--|
| HOUSING | <input checked="" type="checkbox"/> PC UL94V-0 <input type="checkbox"/> PC UL94V-2 | TYPE OF PLUG | <input type="checkbox"/> SHIELD <input checked="" type="checkbox"/> UNSHIELD |
| CONTACT | PHOSPHOR BRONZE FINE GOLD PLATED OVER NICKEL | COLD-PLATING | <input type="checkbox"/> 0.15U M/6U" MINIMUM <input type="checkbox"/> 0.38U M/15U" MINIMUM <input type="checkbox"/> 0.76U M/30U" MINIMUM <input checked="" type="checkbox"/> 1.27U M/50U" MINIMUM |
| Application | UTP Cat.5e stranded cable | | |
| REV. | DESCRIPTION | ENG. | APPROVAL |

TITLE MODULAR PLUG
DR. Breaker2010/04/13

CO. SY
APPD.

FILE. SY-RJ-45-1
CHKD.



Shiunn Yang Ent.Co.Ltd.
TEL: 29089890 <REP>
FAX: 29068849,29088679

| | |
|---------|---------|
| SCALE / | |
| UNIT mm | SIZE A4 |
| SHEET | REV. |