

ROHS Compliant

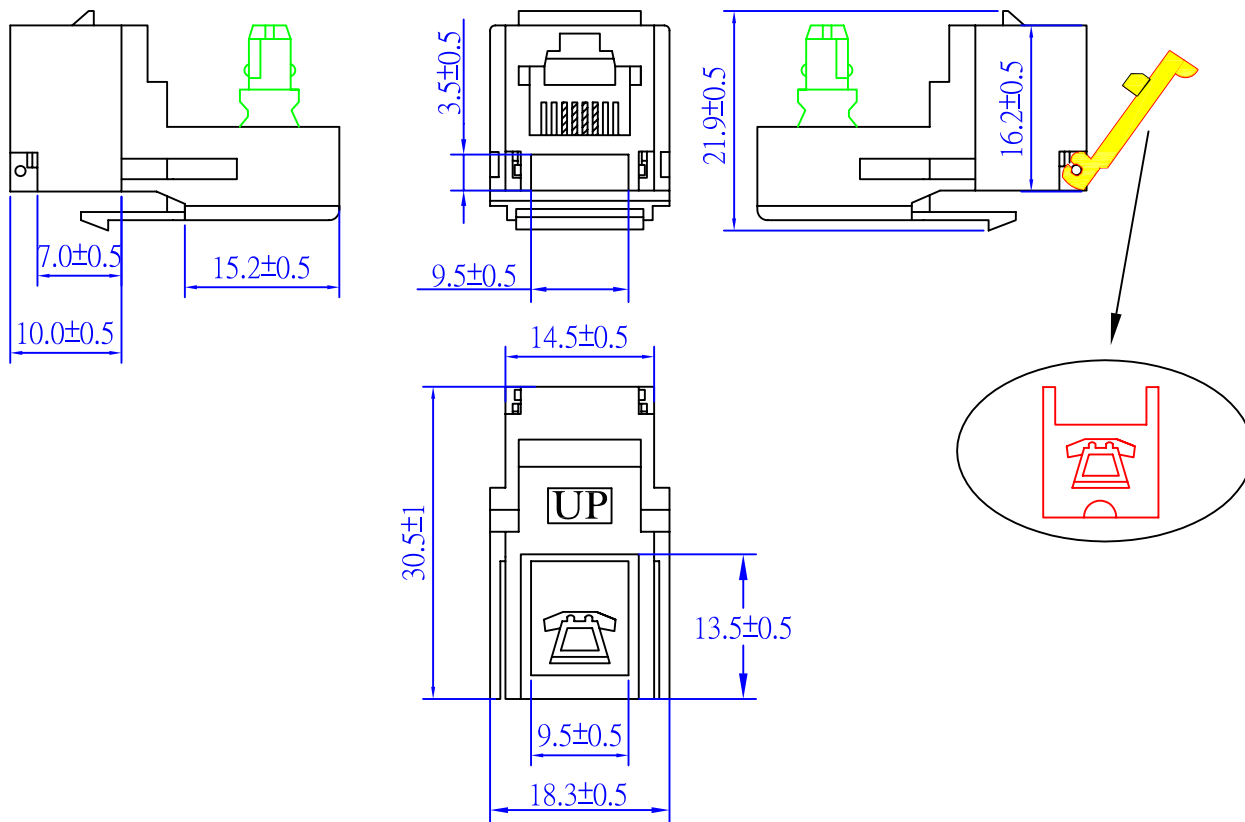
Date	2009/04/13
Revision	A

FEATURES :

- PROVIDES TERMINATION FOR 22~26 AWG WIRE
- JACK INSERTION LIFE >750 MATING CYCLES
- IDC INSERTION LIFE >250 MATING CYCLES
- OPERATING TEMPERATURE : -40°C~+60°C

ELECTRICAL :

- CONTACT RESISTANCE : 20M OHM
- DC CURRENT RATING : 1.5AMPS
- DC RESISTANCE : MAX. 0.1 OHM
- INSULATION RESISTANCE : 500M OHM
- DIELECTRIC WITHSTANDING VOLTAGE : 1000V


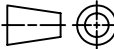


TOLERANCE	
.XXXX	----
.XXX	0.10
.XX	0.25
.X	0.38

TECHNICAL DATA

CATEGORY	<input type="checkbox"/> CAT.5E <input type="checkbox"/> CAT.6 <input checked="" type="checkbox"/> CAT.3 <input type="checkbox"/> OTHER _____
HOUSING	ABS UL94V-0
CONTACT	0.46 mm DIAMETER PHOSPHOR BRONZE GOLD PLATED OVER NICKEL
GOLD-PLATING	<input type="checkbox"/> 0.0762 um / 3u inch <input type="checkbox"/> 0.15 um / 6u inch <input type="checkbox"/> 0.38 um / 15u inch <input type="checkbox"/> 0.76 um / 30u inch <input type="checkbox"/> 1.27 um / 50u inch
COLOR	<input type="checkbox"/> WHITE <input type="checkbox"/> BLACK <input type="checkbox"/> GREEN <input type="checkbox"/> BLUE <input type="checkbox"/> YELLOW <input type="checkbox"/> RED <input type="checkbox"/> ORANGE <input type="checkbox"/> IVORY <input type="checkbox"/> OTHER _____
TYPE OF PRODUCT	<input checked="" type="checkbox"/> UNSHIELD <input type="checkbox"/> SHIELD : 0.25mm THICKNESS COPPER ALLOY WITH NICKLE PLATED

P/NO. SY-505-T4C

ITEM. Keystone Jack	CO. SY	S/N. SY-505-T4C
DR. Breaker2009/04/13	APPD.	CHKD.
 Shium Yang Ent.Co.Ltd. TEL: 29089890 <REP> FAX: 29068849,29088679		FILE. SY-505-T4C
		SCALE / 
		UNIT mm SIZE A4