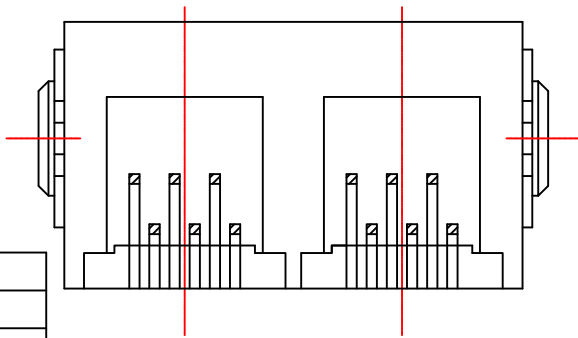
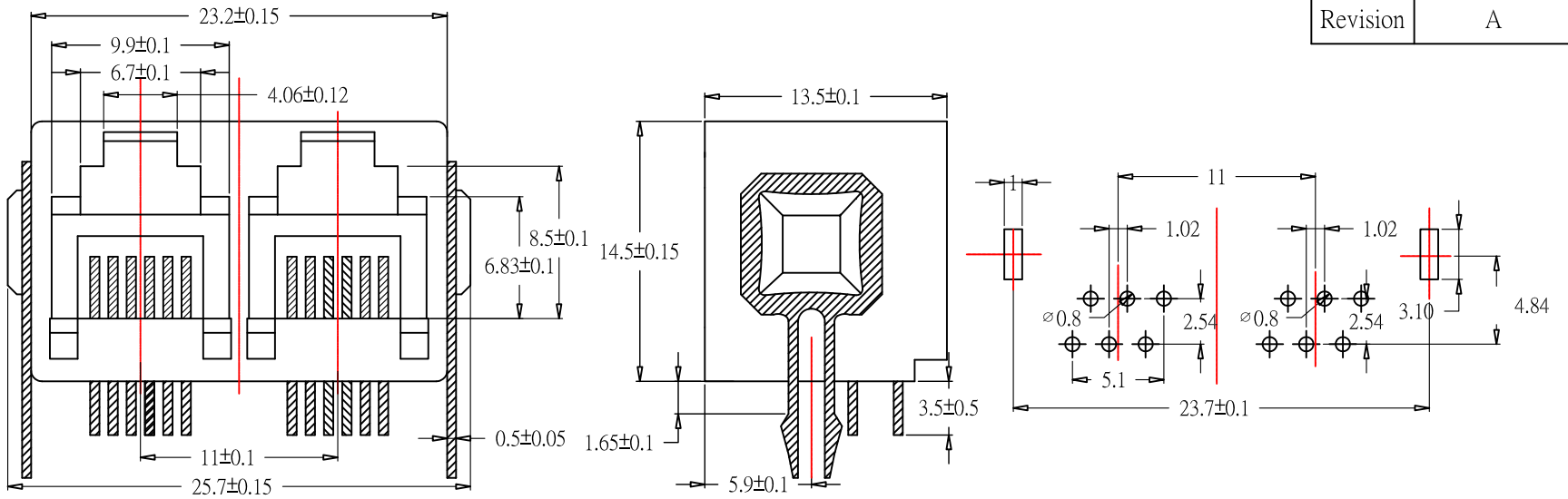


ROHS Compliant

Date	2008/04/21
Revision	A




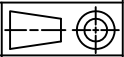
TOLERANCE

.XXXX	----
.XXX	0.10
.XX	0.25
.X	0.38

P/NO. SY052-6-2 Ports

TECHNICAL DATA

HOUSING	STANDARD MATERIAL 15% GLASS FILLED PBT <input type="checkbox"/> UL94V-0 <input type="checkbox"/> UL94V-2	COLOR	<input type="checkbox"/> GRAY <input type="checkbox"/> BLACK
CONTACT	0.46 DIAMETER PHOSPHOR BRONZE GOLD PLATED OVER NICKEL		
GOLD-PLATING	<input type="checkbox"/> 0.0762 um / 3u inch <input type="checkbox"/> 0.15 um / 6u inch <input type="checkbox"/> 0.38 um / 15u inch <input type="checkbox"/> 0.76 um / 30u inch <input type="checkbox"/> 1.27 um / 50u inch		
SHIELDING	0.25mm THICKNESS COPPER ALLOY WITH TIN PLATED		
REV.	DESCRIPTION	ENG.	APPROVAL

ITEM. SHIELDED PCB JACK	CO. SY	FILE. SY052-6-2 Ports
DR. Breaker2008/04/21	APPD.	CHKD.
 Shiunn Yang Ent.Co.Ltd. TEL: 29089890 <REP> FAX: 29068849,29088679	SCALE /	
	UNIT mm	SIZE A4
	SHEET	REV.