

ROHS Compliant

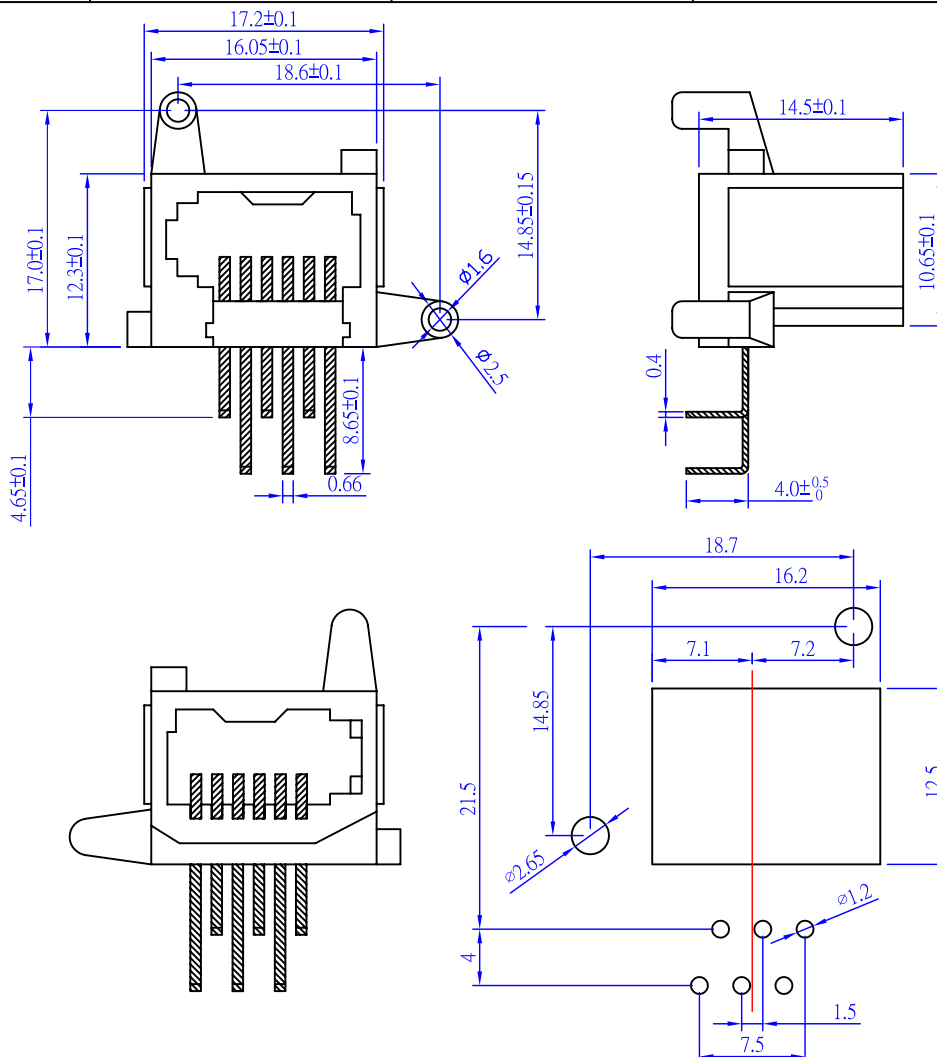
Date	2010/08/05
Revision	A

**ELECTRICAL :**

- VOLTAGE RATING : 125V.
- CURRENT RATING : 1.5A.
- CONTACT RESISTANCE : 30 MILLIOHMS MAX.
- INSULATION RESISTANCE : 500 MEGOHM MIN.
- DIELECTRIC WITHSTANDING VOLTAGE : 1000VAC, RMS, 60Hz, 1MINUTE.

**MECHANICAL :**

- PLUG RETAINED FORCE : 11KG MAX.
- DURABILITY : 750 MATING CYCLES MIN.
- OPERATING TEMPERATURE : -40°C~+125°C.




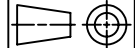
PCB LAYOUT

TOLERANCE	
.XXXX	----
.XXX	0.10
.XX	0.25
.X	0.38

TECHNICAL DATA

HOUSING	STANDARD MATERIAL 15% GLASS FILLED PBT <input checked="" type="checkbox"/> UL94V-0 <input type="checkbox"/> UL94V-2	COLOR	<input type="checkbox"/> GRAY <input checked="" type="checkbox"/> WHITE
	<input checked="" type="checkbox"/> W/FLANGE <input type="checkbox"/> W/O FLANGE		
CONTACT	<input type="checkbox"/> ROUND WIRE : 0.46mm DIAMETER PHOSPHOR BRONZE GOLD PLATED OVER NICAL.		
	<input checked="" type="checkbox"/> FLAT WIRE : 0.35mm THICKNESS PHOSPHOR BRONZE GOLD PLATED OVER NICAL.		
TIN PLATED OVER NICKEL ON SOLDER AREA.			
GOLD-PLATING	<input checked="" type="checkbox"/> 0.0762um/3u inch <input type="checkbox"/> 0.15um/6u inch <input type="checkbox"/> 0.38um/15u inch <input type="checkbox"/> 0.76um/30u inch <input type="checkbox"/> 1.27um/50u inch		
TYPE OF JACK	<input checked="" type="checkbox"/> UNSHIELD <input type="checkbox"/> SHIELD : 0.25mm THICKNESS COPPER ALLOY WITH NICKLE PLATED.		

P/NO. SY038-6 UK Bottom entry

ITEM.	CO. SY	FILE. SY038-6 UK Bottom entry
DR. Breaker2010/08/05	APPD.	CHKD.
 Shium Yang Ent.Co.Ltd. TEL: 29089890 <REP> FAX: 29068849,29088679	SCALE /	
	UNIT mm	SIZE A4
	SHEET	REV.