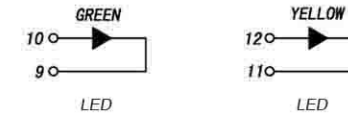
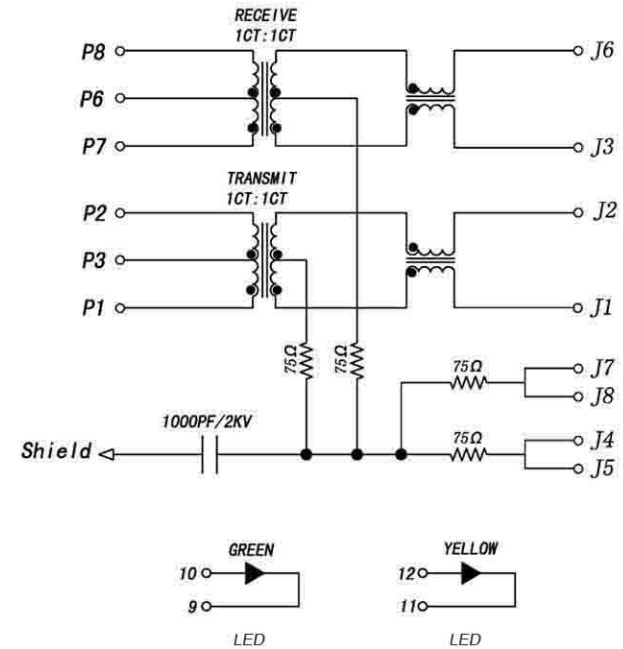
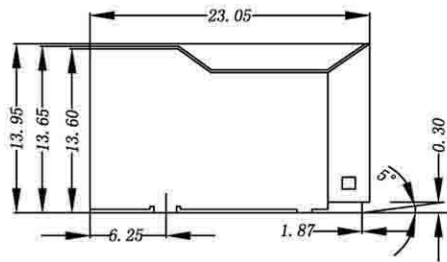
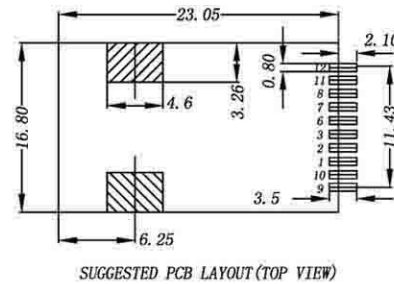
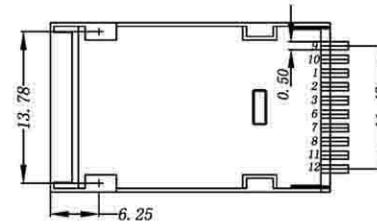
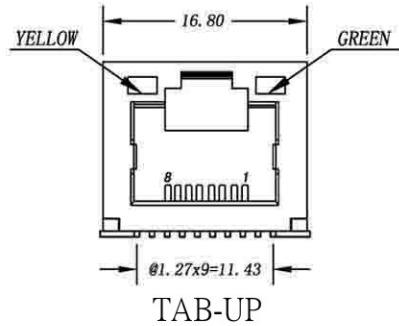


ROHS Compliant

Date	2009/06/23
Revision	C



NOTES:

1. Designed to support VoIP application
2. Meets IEEE 802.3 specification
3. Connector Materials:  
Housing: Thermoplastic UL94V-0  
Contact/Shield: Copper alloy  
Shield plating: Nickel  
Contact plating: Gold 6 micro-inches min. in contact area.

Electrical Specifications@25°C:

1. Turns Ratio ( $\pm 2\%$ ):  
TX=1CT:1CT RX=1CT:1CT
2. Inductance OCL:  
350uH MIN@100KHz/0.1V, 8mA DC Bias
3. Return Loss (Min):  
1-60MHZ: -14dB  
60-100MHZ: -10dB
4. Crosstalk (Min):  
1-80MHZ: -35dB
5. Insertion Loss (Max):  
1-80MHZ: -1.0dB  
100MHZ: -1.2dB
6. Isolation Voltage: 1500V
7. IR Reflow peak temperature: 260°C
8. Operating Temperature: 0~70°C

P/NO. SY008S-CLU-SMT

ITEM	CO.	S/N. SY008S-CLU-SMT
DR. Breaker2009/06/10	APPD.	CHKD.



Shiunn Yang Ent. Co. Ltd.  
TEL: 29089890 <REP>  
FAX: 29068849, 29088679

FILE	SY008S-CLU-SMT
SCALE	/
UNIT	mm
SIZE	A4