

ROHS Compliant

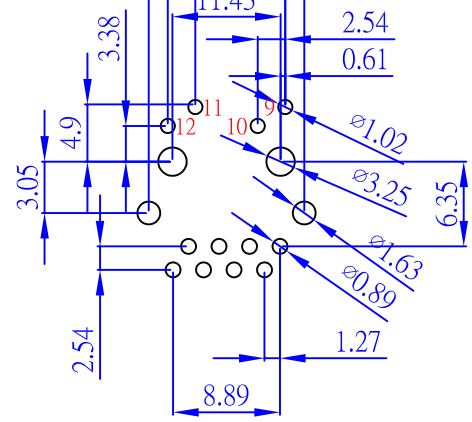
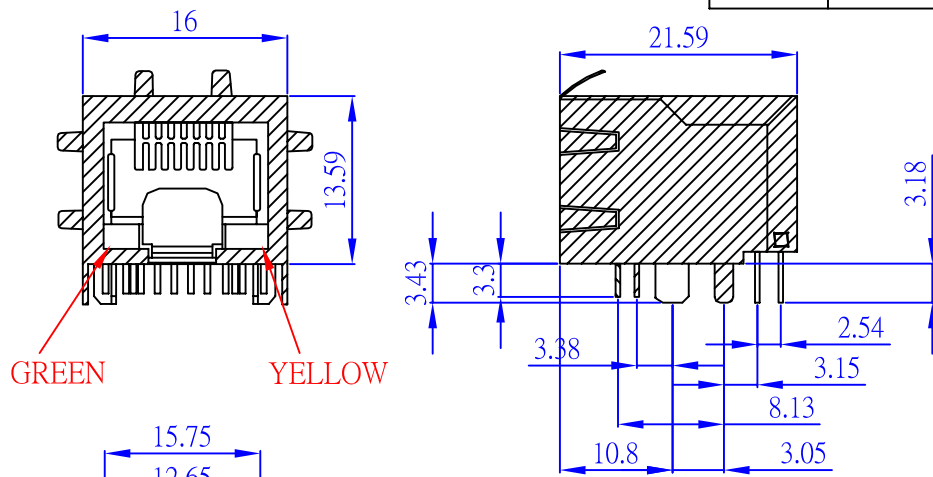
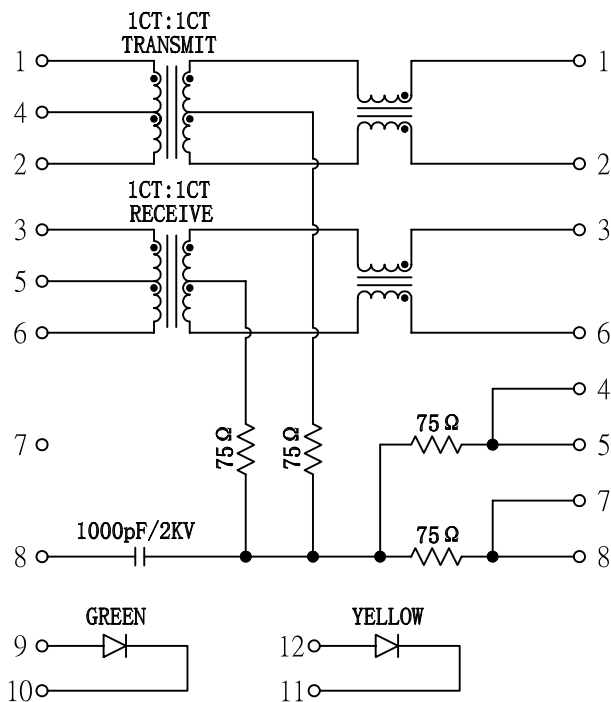
Date	2010/09/09
Revision	A

**ELECTRICAL :**

- VOLTAGE RATING : 125V.
- CURRENT RATING : 1.5A.
- CONTACT RESISTANCE : 30 MILLIOHMS MAX.
- INSULATION RESISTANCE : 500 MEGOHM MIN.
- DIELECTRIC WITHSTANDING VOLTAGE : 1000VAC, RMS, 60Hz, 1MINUTE.

**MECHANICAL :**

- PLUG RETAINED FORCE : 11KG MAX.
- DURABILITY : 750 MATING CYCLES MIN.
- OPERATING TEMPERATURE : -40°C~+125°C.
- TAB-UP


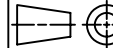


10 / 100BASE

TOLERANCE	
.XXXX	---
.XXX	0.10
.XX	0.25
.X	0.38

P/NO. SY008S-C-LED-D

TECHNICAL DATA			
HOUSING	STANDARD MATERIAL 15% GLASS FILLED PBT <input type="checkbox"/> UL94V-0 <input type="checkbox"/> UL94V-2	COLOR	<input type="checkbox"/> GRAY <input type="checkbox"/> BLACK
CONTACT	0.46 DIAMETER PHOSPHOR BRONZE GOLD PLATED OVER NICKEL		
GOLD-PLATING	<input type="checkbox"/> 0.0762 um / 3u inch <input checked="" type="checkbox"/> 0.15 um / 6u inch <input type="checkbox"/> 0.38 um / 15u inch <input type="checkbox"/> 0.76 um / 30u inch <input type="checkbox"/> 1.27 um / 50u inch		
SHIELDING	0.25mm THICKNESS COPPER ALLOY WITH TIN PLATED		
REV.	DESCRIPTION	ENG.	APPROVAL

ITEM.	CO. SY	FILE. SY008S-C-LED-D
DR. Breaker2010/09/09	APPD.	CHKD.
 Shium Yang Ent.Co.Ltd. TEL: 29089890 <REP> FAX: 29068849,29088679	SCALE /	
	UNIT mm	SIZE A4
	SHEET	REV.