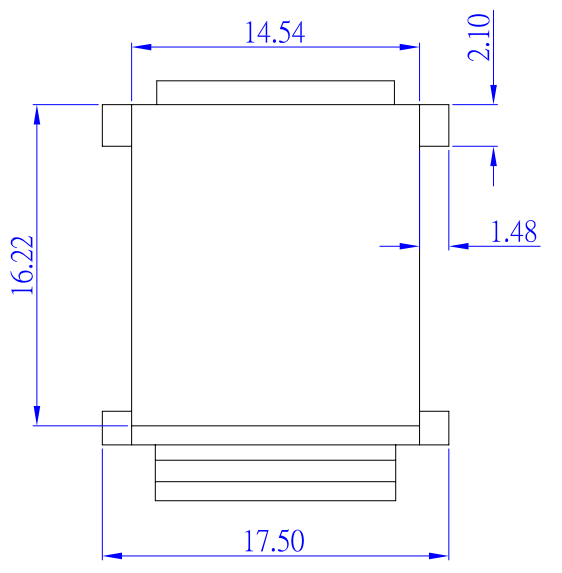
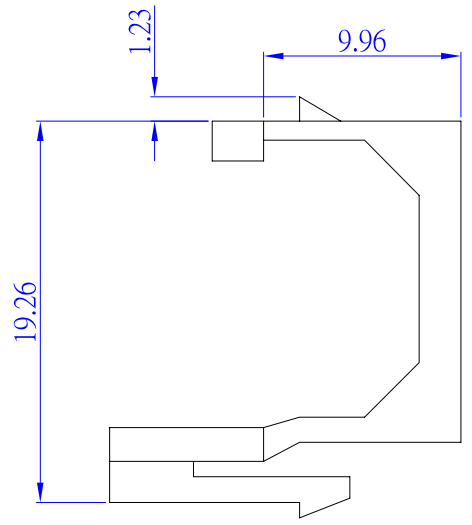
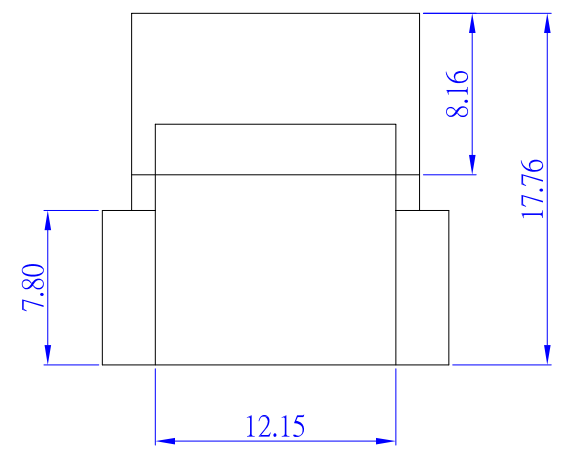
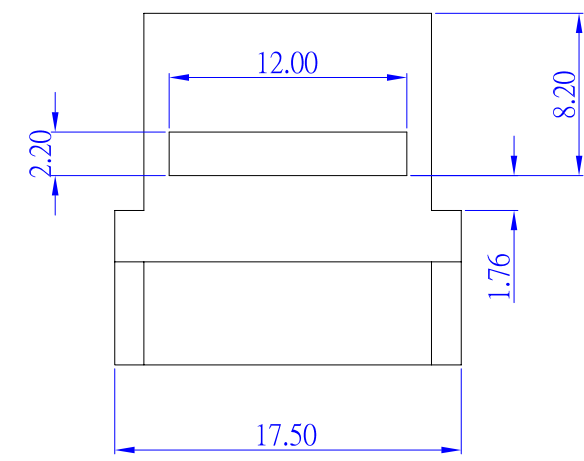


ROHS Compliant


Date	2010/09/14
Revision	A



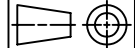
TOLERANCE	
.XXXX	----
.XXX	0.10
.XX	0.25
.X	0.38

P/NO. SY-XX

MATERIAL		ITEM.	CO.	SY	FILE.	SY-XX
HOUSING	ABS, UL94V-0	DR.	Breaker	2010/09/14	APPD.	CHKD.
COLOR	<input type="checkbox"/> WHITE <input type="checkbox"/> BLACK <input type="checkbox"/> OTHER_____					
REV.	DESCRIPTION	ENG.	APPROVAL			



Shiunn Yang Ent.Co.Ltd.
TEL: 29089890 <REP>
FAX: 29068849,29088679

SCALE /	
UNIT mm	SIZE A4
SHEET	REV.