

**ROHS Compliant**

**Features :**

- T-568A/B Dual wiring
- RJ45 complies with FCC part 68 standard
- 110 IDC connector compatible
- Provides termination for 22-26 AWG wire
- Jack insertion life >750 mating cycles
- IDC insertion life >250 mating cycles
- Operating temperature : -10°C~+60°C
- Storage temperature : -40°C~+68°C

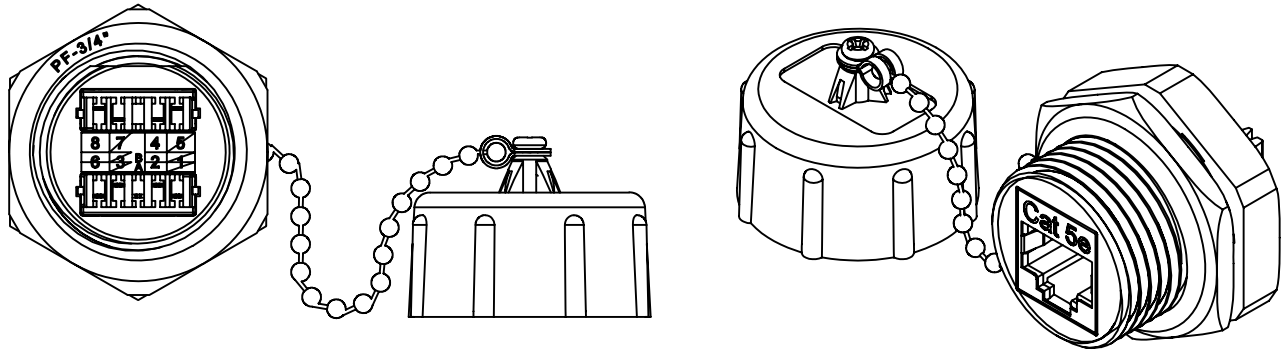
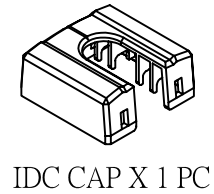
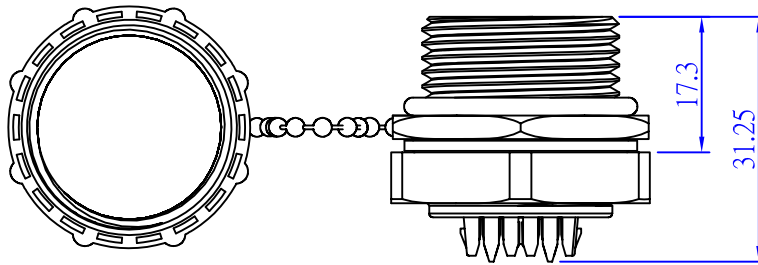
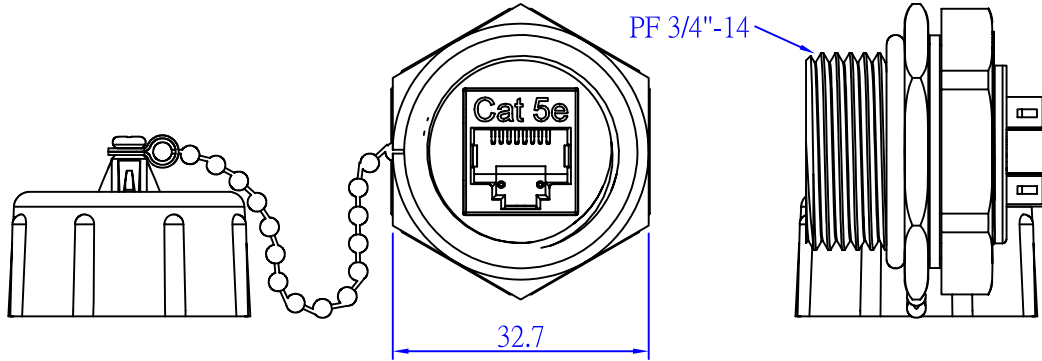
**Electrical :**

- Contact resistance : 20m ohm
- DC Current rating : 1.5Amps
- DC resistance : Max. 0.1 ohm
- Insulation Resistance : 500M ohm
- Dielectric withstanding voltage : 1000V

**IP67 :**

- ACCORDING TO IEC 60529 : 2001-02
- Degrees of Protection :  
 #6 : Totally protected against dust  
 #7 : Protected against the effect of temporary immersion for 30 min. in 1-meter depth of water

Date	2010/01/21
Revision	A


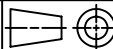


TOLERANCE	
.XXXX	----
.XXX	0.10
.XX	0.25
.X	0.38

**TECHNICAL DATA**

CATEGORY	<input checked="" type="checkbox"/> CAT.5E <input type="checkbox"/> CAT.6 <input type="checkbox"/> CAT.3 <input type="checkbox"/> OTHER _____
HOUSING	ABS UL94V-0
CONTACT	0.46 mm DIAMETER PHOSPHOR BRONZE GOLD PLATED OVER NICKEL
GOLD-PLATING	<input type="checkbox"/> 0.0762 um / 3u inch <input type="checkbox"/> 0.15 um / 6u inch <input type="checkbox"/> 0.38 um / 15u inch <input type="checkbox"/> 0.76 um / 30u inch <input checked="" type="checkbox"/> 1.27 um / 50u inch
COLOR	<input type="checkbox"/> WHITE <input checked="" type="checkbox"/> BLACK <input type="checkbox"/> GREEN <input type="checkbox"/> BLUE <input type="checkbox"/> YELLOW <input type="checkbox"/> RED <input type="checkbox"/> ORANGE <input type="checkbox"/> IVORY <input type="checkbox"/> OTHER _____
TYPE OF PRODUCT	<input type="checkbox"/> UNSHIELD <input checked="" type="checkbox"/> SHIELD : 0.25mm THICKNESS COPPER ALLOY WITH NICKLE PLATED
MAIN BODY	PBT UL94V-0, 15% GLASS FIBER FILLED

**P/NO. SY-WPK8DS-C5E**

ITEM. Keystone Jack	CO. SY	S/N. SY-WPK8DS-C5E
DR. Breaker2010/01/21	APPD.	CHKD.
 Shiunn Yang Ent.Co.Ltd. TEL: 29089890 <REP> FAX: 29068849,29088679		FILE. SY-WPK8DS-C5E
		SCALE / 
		UNIT mm SIZE A4