

ROHS Compliant

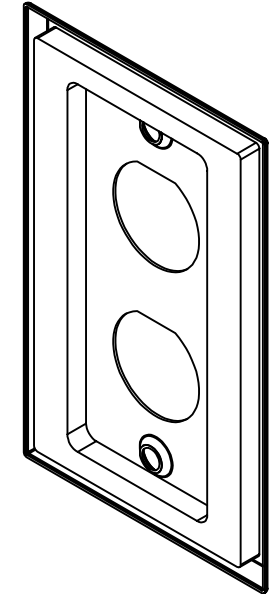
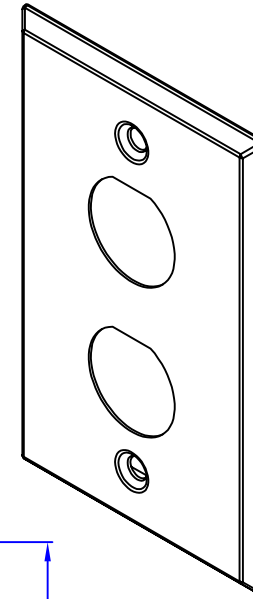
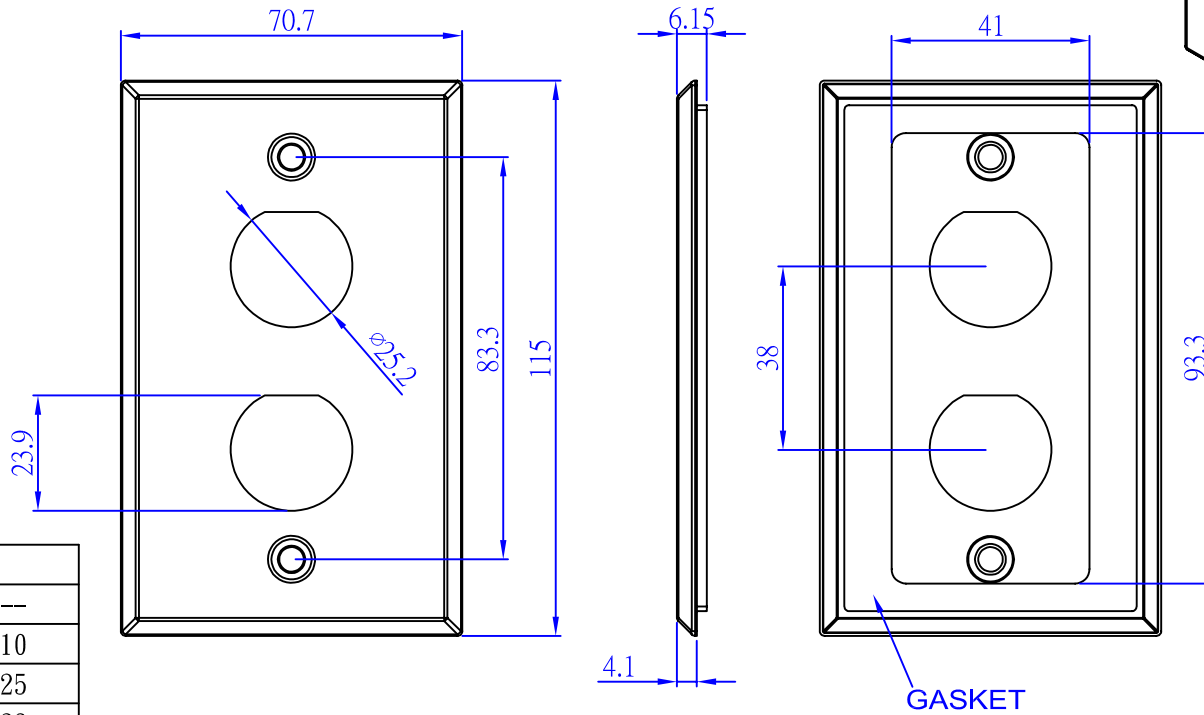
Date	2010/01/21
Revision	A

PHYSICAL CHARACTERISTICS :

- Operating temperature : -10°C~+60°C
- Storagr temperature:-40°C~+68°C

IP67 :

- ACCORDING TO IEC 60529 : 2001-02
- Degrees of Protection :
 #6 : Totally protected against dust
 #7 : Protected against the effect of temporary immersion for 30 min. in 1-meter depth of water



TOLERANCE

. XXXX	---
. XXX	0.10
. XX	0.25
. X	0.38

P/NO. SY-WPB55S-2

MATERIAL

SHILED FRAME	SUS430
BACK GASKET	RUBBER
ENCLOSURE	SCREW X 2 PCS
	SCREW WASHER X 2 PCS

ITEM. FACE PLATE	CO. SY	FILE. SY-WPB55S-2
DR. Breaker2010/01/21	APPD.	CHKD.



Shiunn Yang Ent.Co.Ltd.
 TEL: 29089890 <REP>
 FAX: 29068849,29088679

SCALE /	
UNIT mm	SIZE A4
SHEET	REV.