

ROHS Compliant

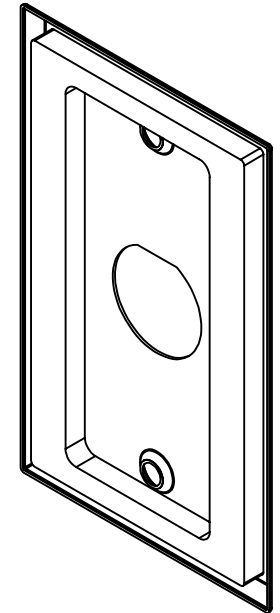
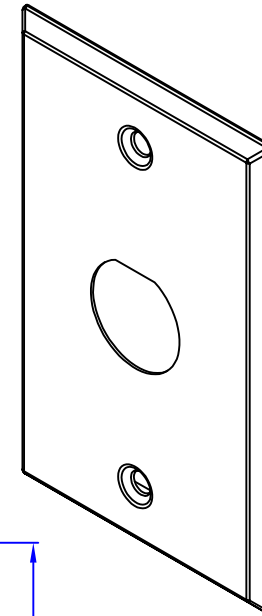
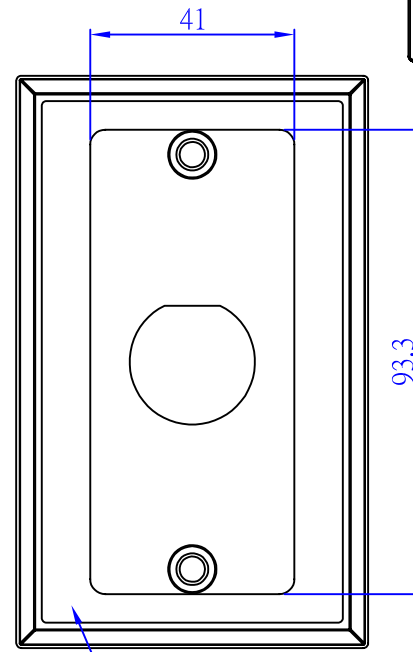
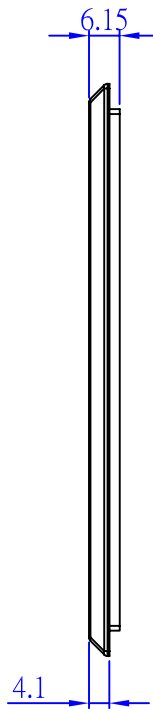
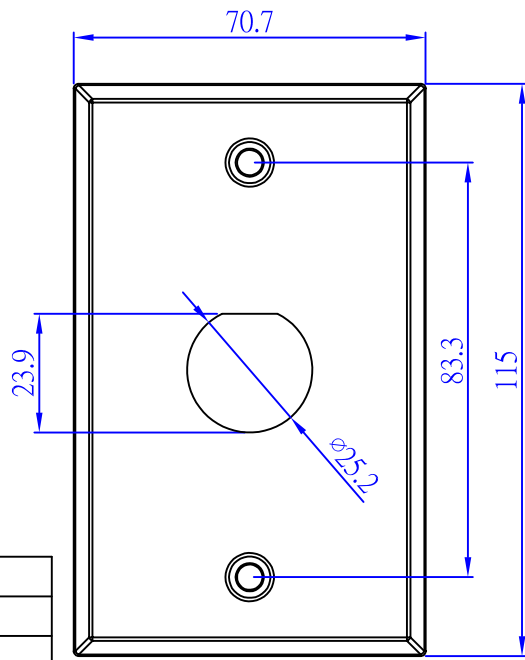
| | |
|----------|------------|
| Date | 2010/01/21 |
| Revision | A |

PHYSICAL CHARACTERISTICS :

- Operating temperature : -10°C~+60°C
- Storage temperature:-40°C~+68°C

IP67 :

- ACCORDING TO IEC 60529 : 2001-02
- Degrees of Protection :
 #6 : Totally protected against dust
 #7 : Protected against the effect of temporary immersion for 30 min. in 1-meter depth of water



TOLERANCE

| | |
|--------|------|
| . XXXX | --- |
| . XXX | 0.10 |
| . XX | 0.25 |
| . X | 0.38 |

P/NO. SY-WPB55S-1

MATERIAL

| | |
|--------------|----------------------|
| SHILED FRAME | SUS430 |
| BACK GASKET | RUBBER |
| ENCLOSURE | SCREW X 2 PCS |
| | SCREW WASHER X 2 PCS |
| | |
| | |

| | | |
|-----------------------|--------|-------------------|
| ITEM. FACE PLATE | CO. SY | FILE. SY-WPB55S-1 |
| DR. Breaker2010/01/21 | APPD. | CHKD. |



Shiunn Yang Ent.Co.Ltd.
 TEL: 29089890 <REP>
 FAX: 29068849,29088679

| | |
|---------|---------|
| SCALE / | |
| UNIT mm | SIZE A4 |
| SHEET | REV. |