

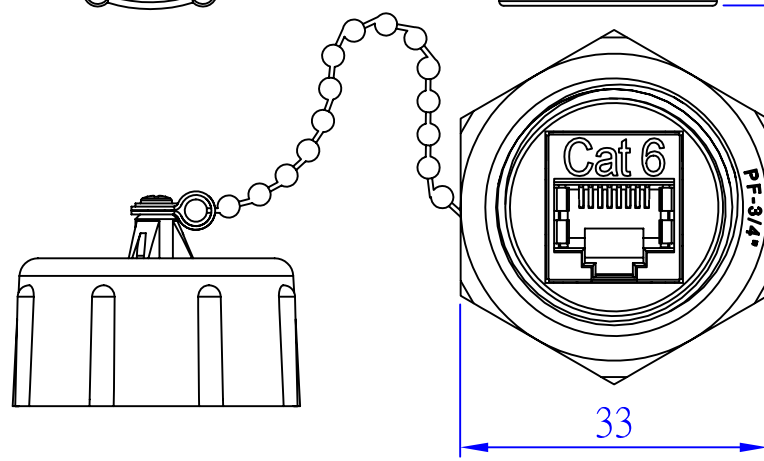
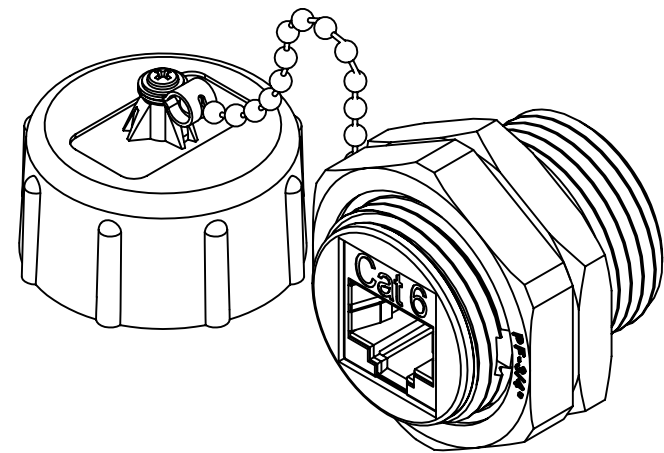
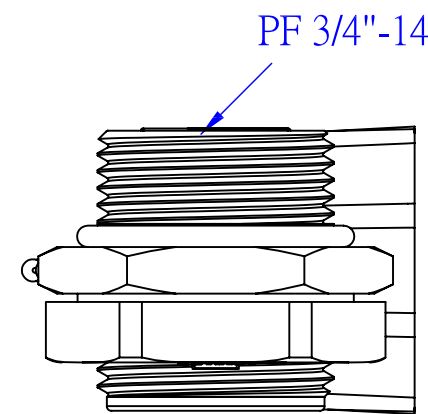
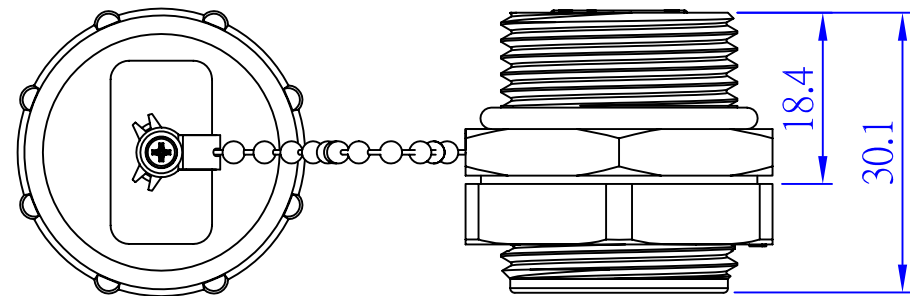
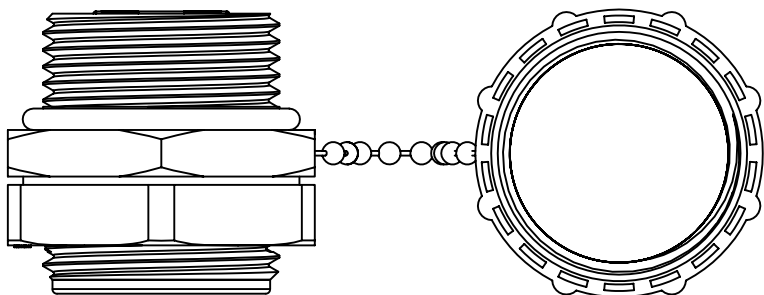
ROHS Compliant

| | |
|----------|------------|
| Date | 2010/01/21 |
| Revision | A |

- Features :
- RJ45 complies with FCC part 68 standard
 - Jack insertion life >750 mating cycles
 - Operating temperature : -10°C~+60°C
 - Storage temperature : -40°C~+68°C

- Electrical :
- Contact resistance : 20m ohm
 - DC Current rating : 1.5Amps
 - DC resistance : Max. 0.1 ohm
 - Insulation Resistance : 500M ohm
 - Dielectric withstanding voltage : 1000V

- IP67 :
- ACCORDING TO IEC 60529 : 2001-02
 - Degrees of Protection :
#6 : Totally protected against dust
#7 : Protected against the effect of temporary immersion for 30 min. in 1-meter depth of water


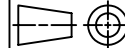



TECHNICAL DATA

| | |
|-----------------|--|
| CATEGORY | <input type="checkbox"/> CAT.5E <input checked="" type="checkbox"/> CAT.6 <input type="checkbox"/> CAT.3 <input type="checkbox"/> OTHER _____ |
| HOUSING | ABS UL94V-0 |
| CONTACT | 0.46 mm DIAMETER PHOSPHOR BRONZE GOLD PLATED OVER NICKEL |
| GOLD-PLATING | <input type="checkbox"/> 0.0762 um / 3u inch <input type="checkbox"/> 0.15 um / 6u inch <input type="checkbox"/> 0.38 um / 15u inch <input type="checkbox"/> 0.76 um / 30u inch <input checked="" type="checkbox"/> 1.27 um / 50u inch |
| COLOR | <input type="checkbox"/> WHITE <input checked="" type="checkbox"/> BLACK <input type="checkbox"/> GREEN <input type="checkbox"/> BLUE <input type="checkbox"/> YELLOW <input type="checkbox"/> RED <input type="checkbox"/> ORANGE <input type="checkbox"/> IVORY <input type="checkbox"/> OTHER _____ |
| TYPE OF PRODUCT | <input type="checkbox"/> UNSHIELD <input checked="" type="checkbox"/> SHIELD : 0.25mm THICKNESS COPPER ALLOY WITH NICKLE PLATED |
| MAIN BODY | PBT UL94V-0, 15% GLASS FIBER FILLED |

P/NO.

SY-WP8DS-C6

| | | | | |
|---|-------|----|-------|--|
| ITEM | CO. | SY | S/N. | SY-WP8DS-C6 |
| DR. Breaker2010/01/21 | APPD. | | CHKD. | |
|  Shium Yang Ent.Co.Ltd. TEL: 29089890 <REP> FAX: 29068849,29088679 | | | FILE. | SY-WP8DS-C6 |
| | | | SCALE | /  |
| | | | UNIT | mm  |
| | | | SIZE | A4 |