

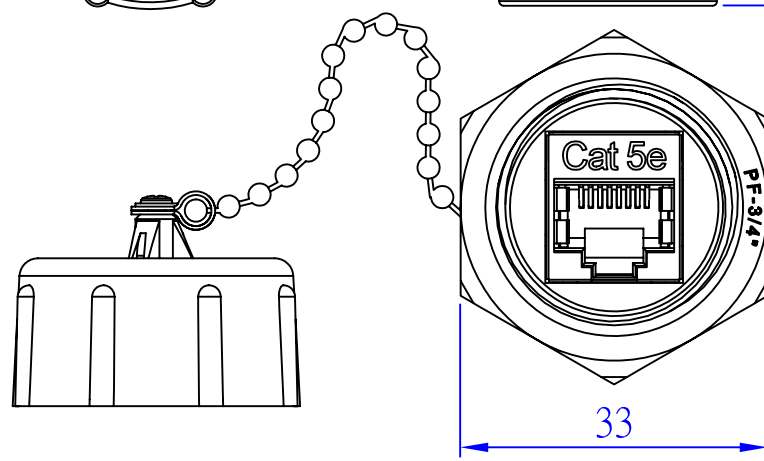
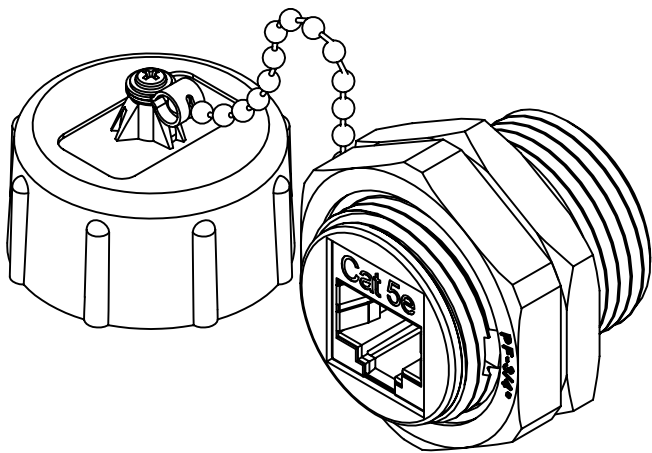
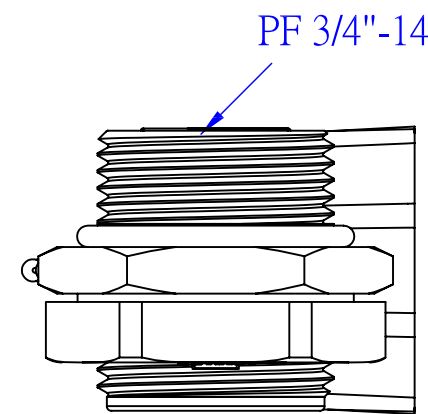
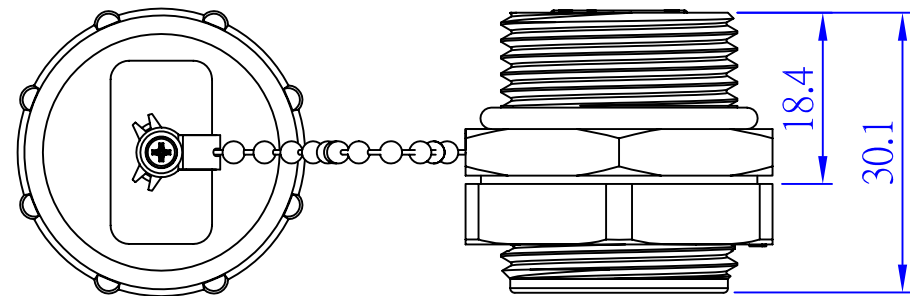
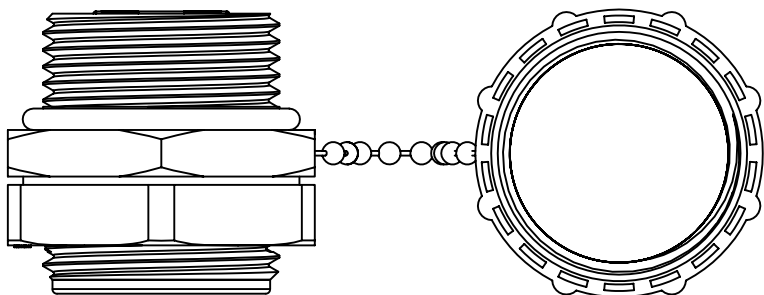
ROHS Compliant

Date	2010/01/21
Revision	A

- Features :
- RJ45 complies with FCC part 68 standard
 - Jack insertion life >750 mating cycles
 - Operating temperature : -10°C~+60°C
 - Storage temperature : -40°C~+68°C

- Electrical :
- Contact resistance : 20m ohm
 - DC Current rating : 1.5Amps
 - DC resistance : Max. 0.1 ohm
 - Insulation Resistance : 500M ohm
 - Dielectric withstanding voltage : 1000V

- IP67 :
- ACCORDING TO IEC 60529 : 2001-02
 - Degrees of Protection :
#6 : Totally protected against dust
#7 : Protected against the effect of temporary immersion for 30 min. in 1-meter depth of water



TECHNICAL DATA

CATEGORY	<input checked="" type="checkbox"/> CAT.5E <input type="checkbox"/> CAT.6 <input type="checkbox"/> CAT.3 <input type="checkbox"/> OTHER _____
HOUSING	ABS UL94V-0
CONTACT	0.46 mm DIAMETER PHOSPHOR BRONZE GOLD PLATED OVER NICKEL
GOLD-PLATING	<input type="checkbox"/> 0.0762 um / 3u inch <input type="checkbox"/> 0.15 um / 6u inch <input type="checkbox"/> 0.38 um / 15u inch <input type="checkbox"/> 0.76 um / 30u inch <input checked="" type="checkbox"/> 1.27 um / 50u inch
COLOR	<input type="checkbox"/> WHITE <input checked="" type="checkbox"/> BLACK <input type="checkbox"/> GREEN <input type="checkbox"/> BLUE <input type="checkbox"/> YELLOW <input type="checkbox"/> RED <input type="checkbox"/> ORANGE <input type="checkbox"/> IVORY <input type="checkbox"/> OTHER _____
TYPE OF PRODUCT	<input type="checkbox"/> UNSHIELD <input checked="" type="checkbox"/> SHIELD : 0.25mm THICKNESS COPPER ALLOY WITH NICKLE PLATED
MAIN BODY	PBT UL94V-0, 15% GLASS FIBER FILLED

P/NO. SY-WP8DS-C5E

ITEM	CO. SY	S/N. SY-WP8DS-C5E
DR. Breaker2010/01/21	APPD.	CHKD.



Shium Yang Ent.Co.Ltd.
TEL: 29089890 <REP>
FAX: 29068849,29088679

FILE. SY-WP8DS-C5E
SCALE /
UNIT mm SIZE A4