

ROHS Compliant

Date	2010/01/21
Revision	A

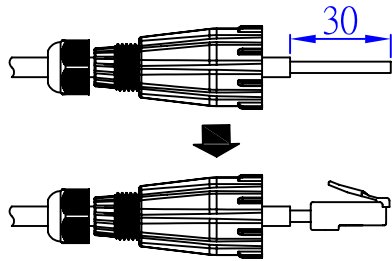
PHYSICAL CHARACTERISTICS :

- OPERATING TEMPERATURE RANGE : -10°C~+60°C
- STORAGE TEMPERATURE RANGE : -40°C~+68°C

Illustration :

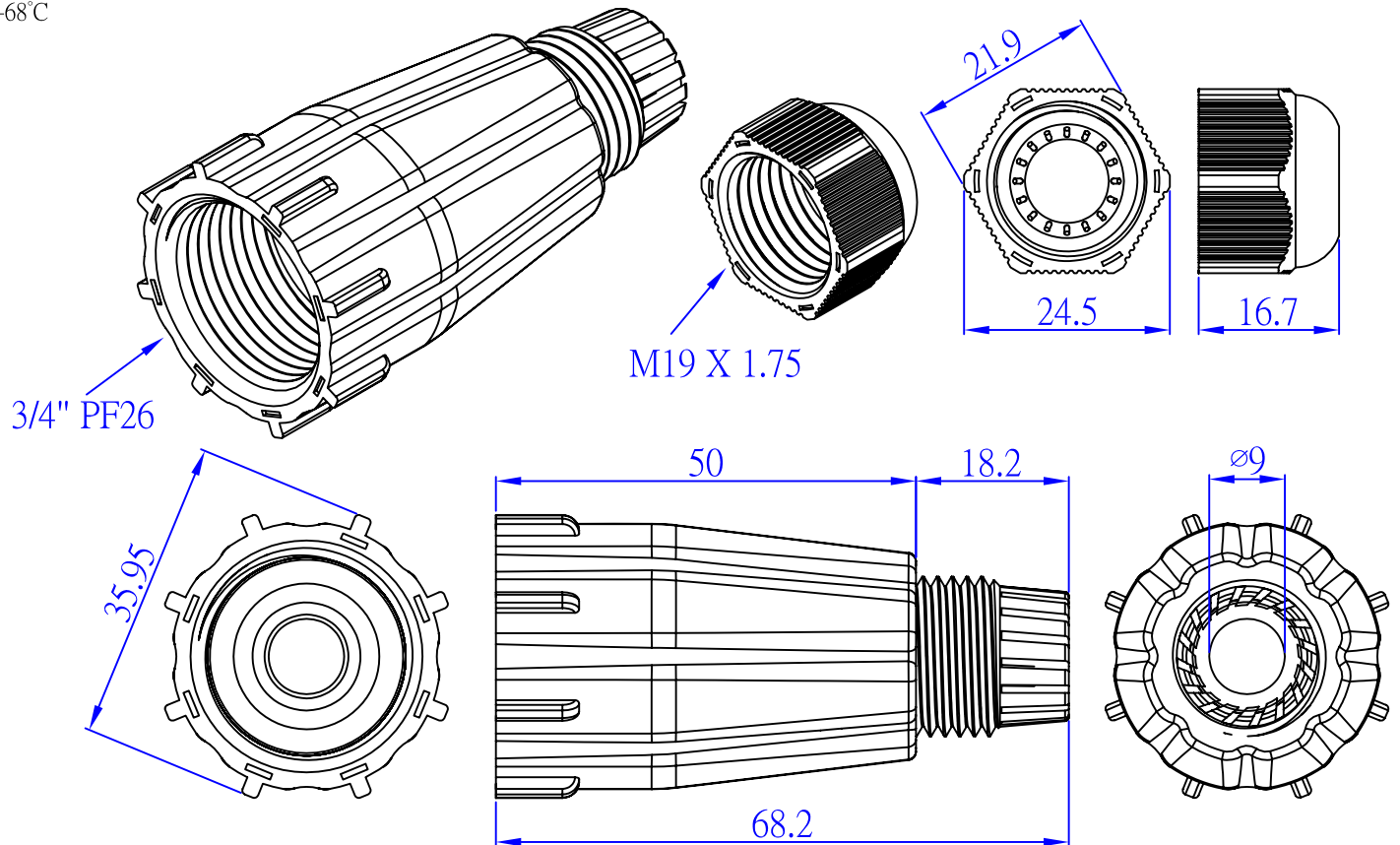
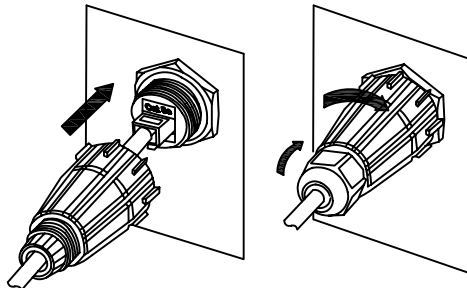
Step 1 :

Strip the cable jacket around 30mm, spread each pair and crimp the modular plug.



Step 2 :

Plug in the modular plug with socket, turn tight the boot then completed the mating.



MATERIAL

MAIN BODY	Nylon PA-66 UL94V-0, 25% Glass Fiber Filled
SEALING NUT	Nylon PA-66 UL94V-0, 25% Glass Fiber Filled
BACK GASKET	Rubber

P/NO. SY-WP-AK

ITEM	CO. SY	S/N. SY-WP-AK
DR. Breaker2010/01/21	APPD.	CHKD.



Shiunn Yang Ent.Co.Ltd.  
 TEL: 29089890 <REP>  
 FAX: 29068849,29088679

FILE.	SY-WP-AK
SCALE /	
UNIT mm	SIZE A4