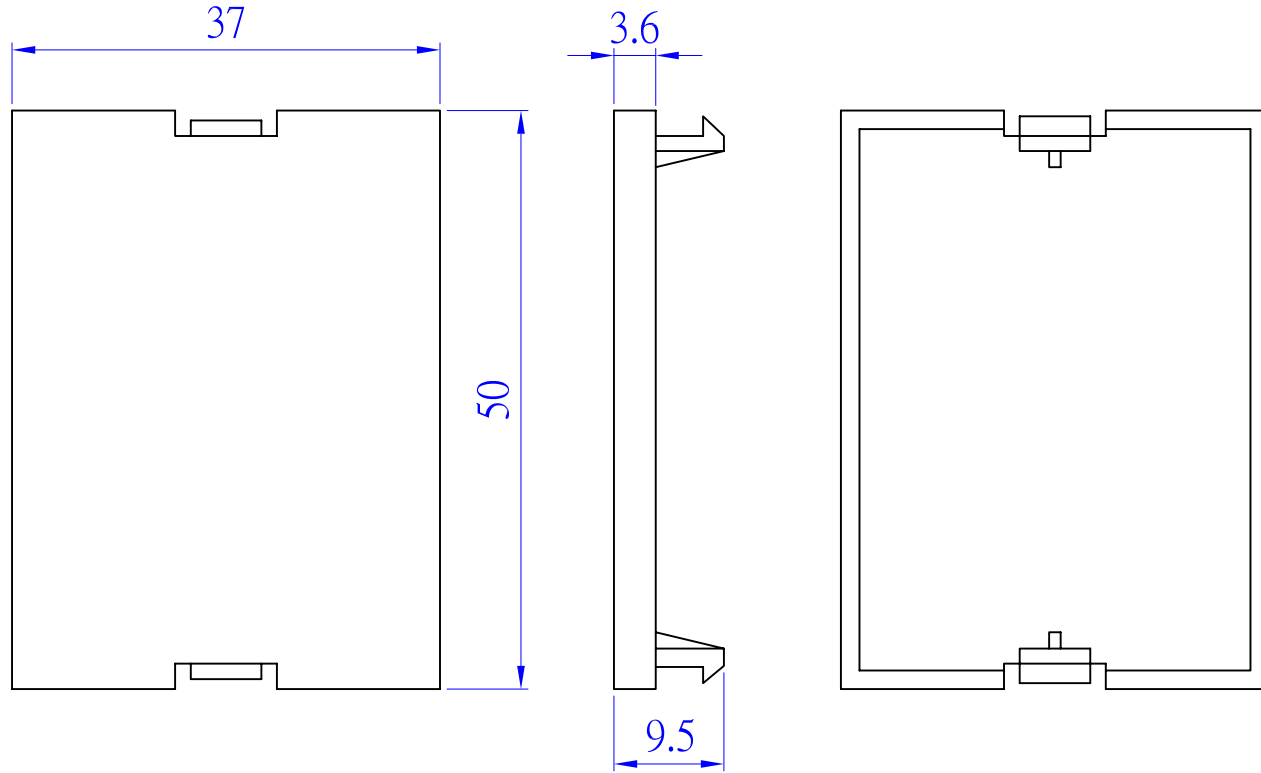


ROHS Compliant


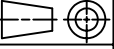
Date	2010/03/08
Revision	A



TOLERANCE	
.XXXX	---
.XXX	0.10
.XX	0.25
.X	0.38

P/NO. SY-UK3

MATERIAL			
HOUSING	ABS UL-94V0		
REV.	DESCRIPTION	ENG.	APPROVAL

TITLE	CO. SY	FILE. SY-UK3
DR. Breaker 2010/03/08	APPD.	CHKD.
 Shiunn Yang Ent.Co.Ltd. TEL: 29089890 <REP> FAX: 29068849,29088679	SCALE /	
	UNIT mm	SIZE A4
	SHEET	REV.