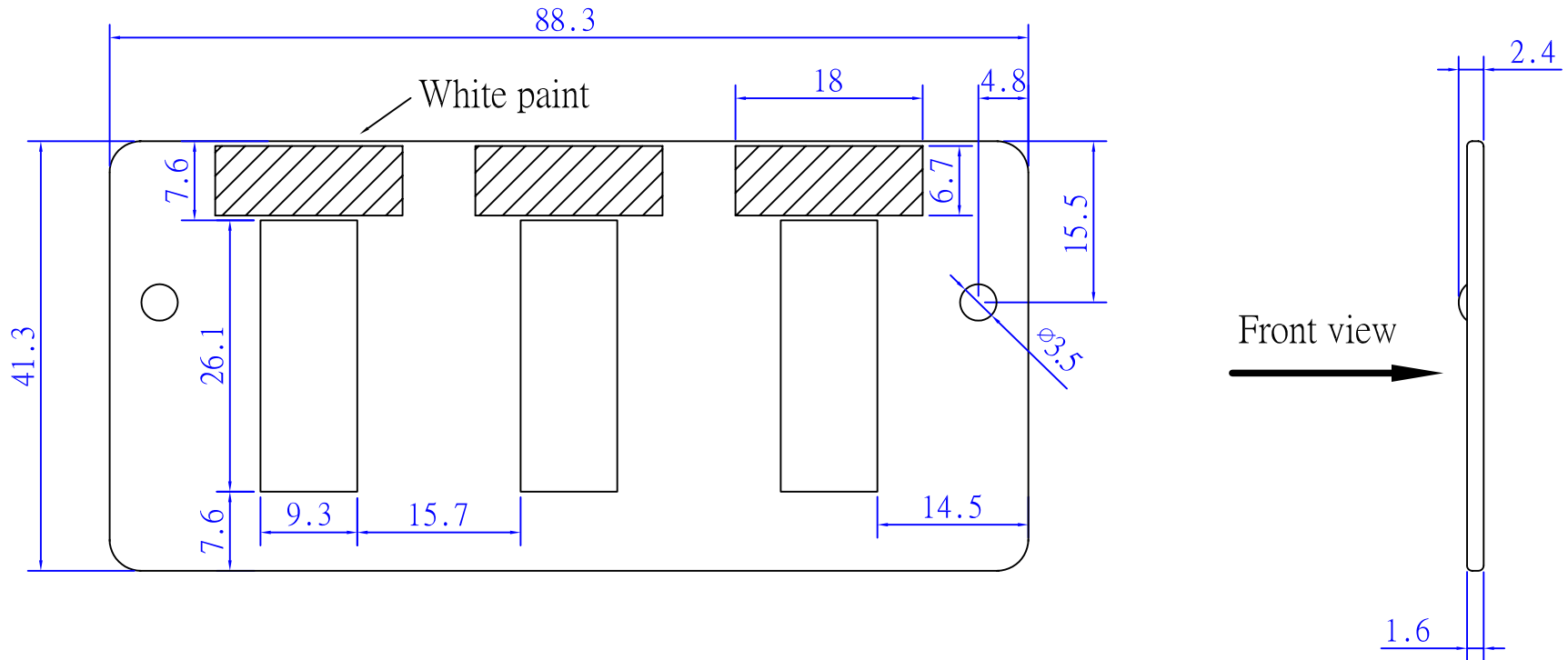


ROHS Compliant



Date	2010/02/10
Revision	A



Front view
→

TOLERANCE	
.XXXX	----
.XXX	0.10
.XX	0.25
.X	0.38

P/NO. SY-SC6

TECHNICAL DATA				ITEM.	CO.	FILE.	
MATERIAL	METAL			Insert panel	SY	SY-SC6	
				DR. Breaker2010/02/10	APPD.	CHKD.	
				 Shiunn Yang Ent.Co.Ltd. TEL: 29089890 <REP> FAX: 29068849,29088679		SCALE / 	
						UNIT mm	SIZE A4
REV.	DESCRIPTION	ENG.	APPROVAL			SHEET	REV.