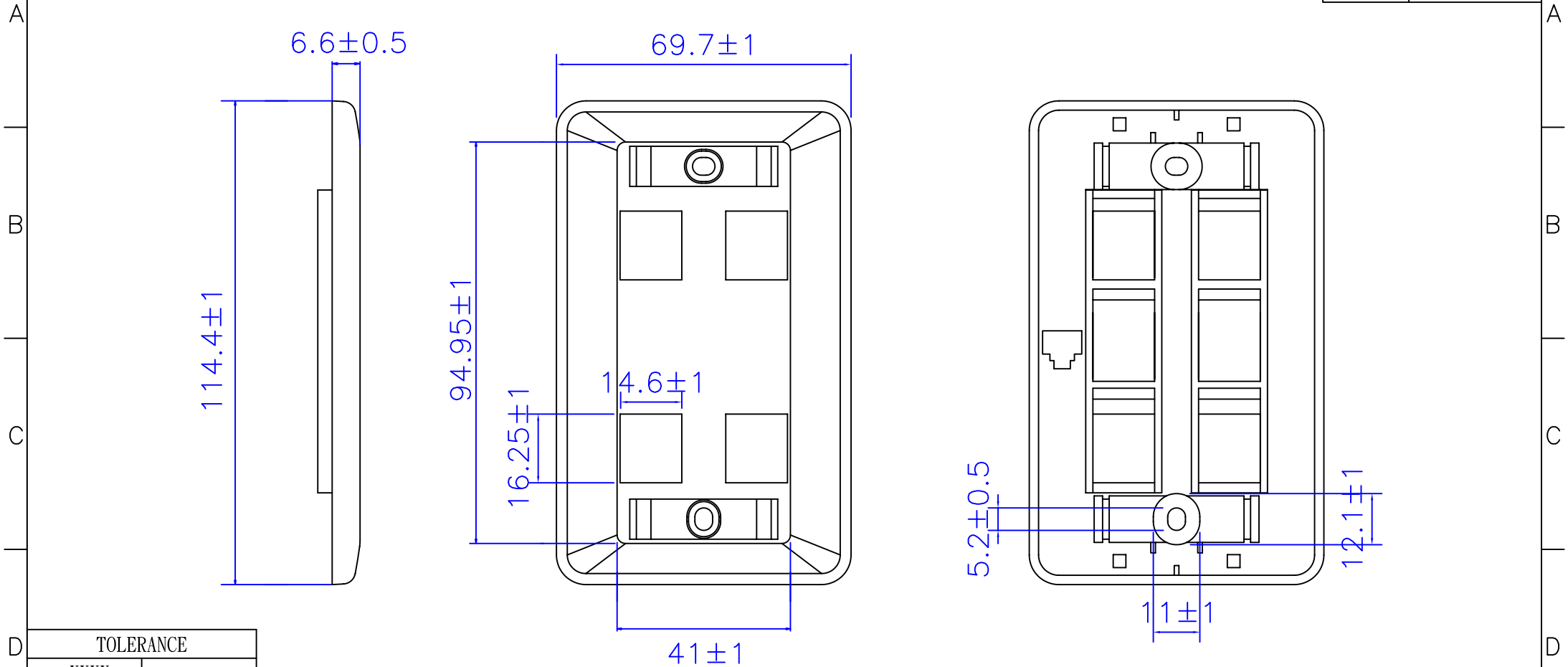


ROHS Compliant

Date	2009/04/14
Revision	A



TOLERANCE	
. XXXX	----
. XXX	0.10
. XX	0.25
. X	0.38

P/NO. SY-S4

MATERIAL	
MATERIAL	ABS UL-94V-0
COLOR	<input type="checkbox"/> WHITE <input type="checkbox"/> IVORY
SCREW (3.5x20mm) x 2	<input type="checkbox"/> SCREW (3.5x25mm) x 2 <input type="checkbox"/> SCREW (6x25mm) x 2
9000352000	90035025TP2 7000602500
ENCLOSURE	<input type="checkbox"/> CLEAR COVER x2, WHITE PAPER(9.5x37mm) x2 <input type="checkbox"/> WHITE COVER <input type="checkbox"/> IVORY COVER

TITL. FACE PLATE	CO. SY	FILE. SY-S4
DR. Breaker2009/04/14	APPD.	CHKD.
<p>Shiunn Yang Ent.Co.Ltd. TEL: 29089890 <REP> FAX: 29068849,29088679</p>	SCALE /	
	UNIT mm	SIZE A4
	SHEET	REV.