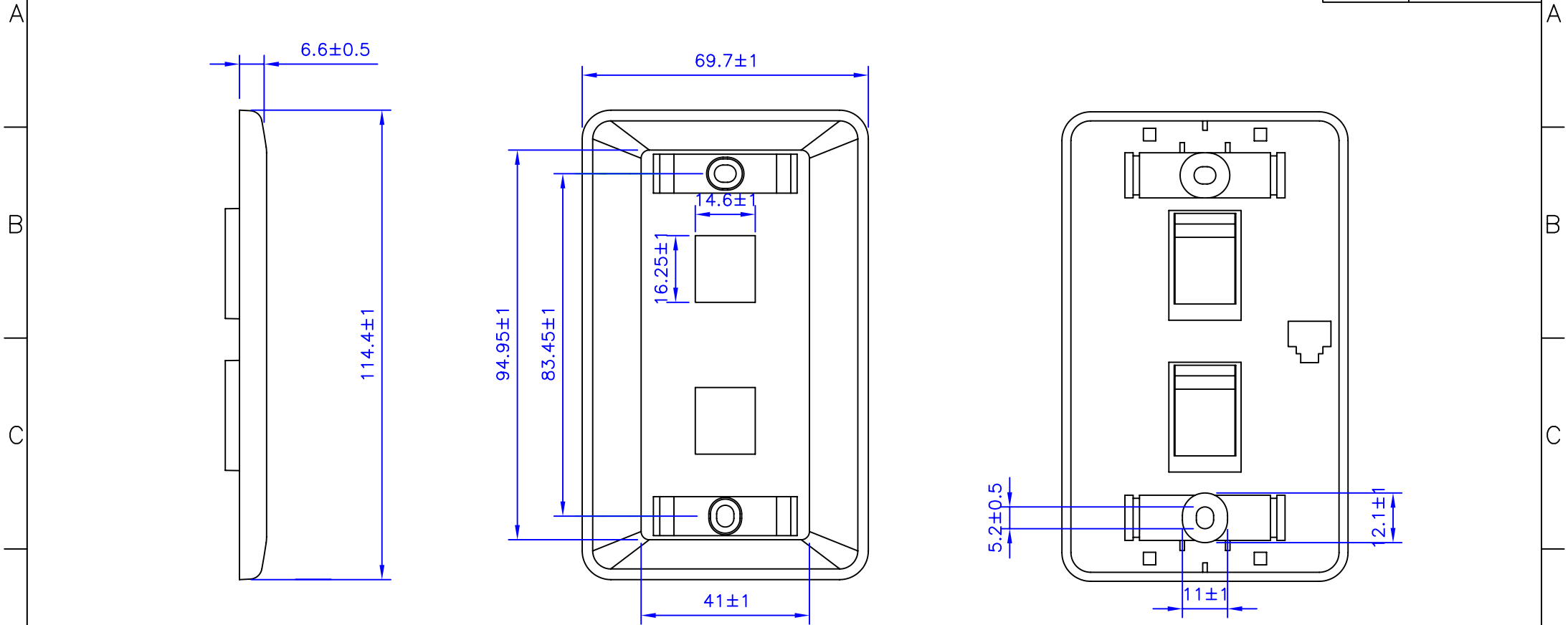



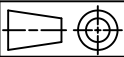
ROHS Compliant

Date	2009/04/14
Revision	A



TOLERANCE	
. XXXX	----
. XXX	0.10
. XX	0.25
. X	0.38

P/NO. SY-S2

MATERIAL			TITL.	FACE PLATE	CO.	SY	FILE.	SY-S2	
MATERIAL	ABS UL-94V-0	COLOR	<input type="checkbox"/> WHITE	<input type="checkbox"/> IVORY	DR. Breaker	2009/04/14	APPD.	CHKD.	
ENCLOSURE	<input type="checkbox"/> SCREW (3.5x20mm) x 2 <input type="checkbox"/> SCREW (3.5x25mm) x 2 <input type="checkbox"/> SCREW (6x25mm) x 2 <input type="checkbox"/> SCREW (9.5x25mm) x 2 <input type="checkbox"/> SCREW (9.5x37mm) x 2 <input type="checkbox"/> SCREW (6x25mm) x 2		 Shiunn Yang Ent.Co.Ltd. TEL: 29089890 <REP> FAX: 29068849,29088679			SCALE /			
	<input type="checkbox"/> CLEAR COVER x2, WHITE PAPER(9.5x37mm) x2 <input type="checkbox"/> WHITE COVER <input type="checkbox"/> IVORY COVER					UNIT mm		SIZE A4	
		SHEET		REV.					