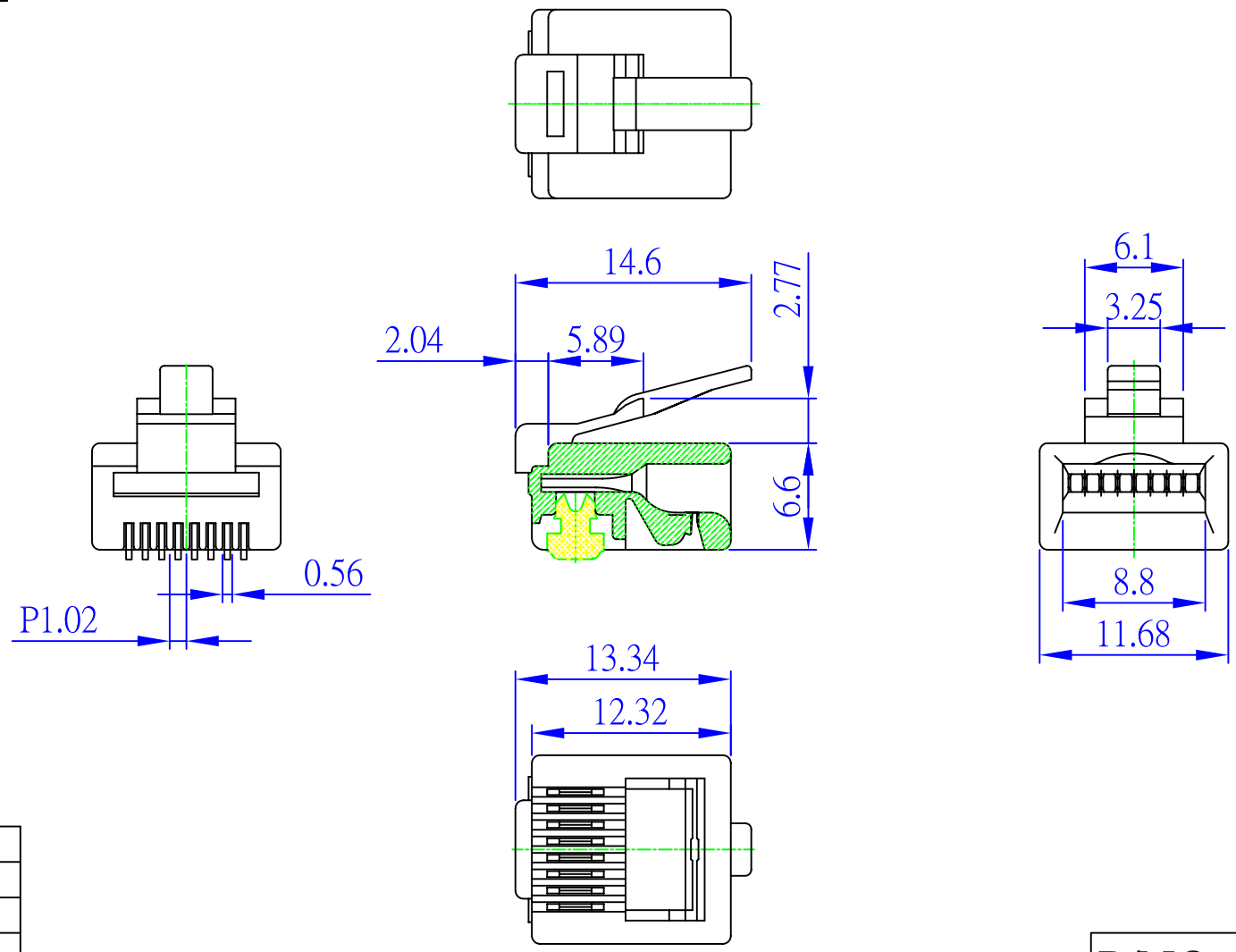


ROHS Compliant


Date	2011/03/18
Revision	A



TOLERANCE	
.XXXX	----
.XXX	0.10
.XX	0.25
.X	0.38

P/NO. SY-RJ2-45-S

SPECIFICATIONS			
HOUSING	<input type="checkbox"/> PC UL94V-0 <input type="checkbox"/> PC UL94V-2	TYPE OF PLUG	<input type="checkbox"/> SHIELD <input type="checkbox"/> UNSHIELD
CONTACT	PHOSPHOR BRONZE FINE GOLD PLATED OVER NICKEL	COLD-PLATING	<input type="checkbox"/> 0.15U M/6U" MINIMUM <input type="checkbox"/> 0.38U M/15U" MINIMUM <input type="checkbox"/> 0.76U M/30U" MINIMUM <input type="checkbox"/> 1.27U M/50U" MINIMUM
Application	UTP Cat.5e stranded cable		
REV.	DESCRIPTION	ENG.	APPROVAL

TITLE	MODULAR PLUG	CO.	SY	FILE.	SY-RJ2-45-S		
DR.	Nash 2011/03/18	APPD.		CHKD.			
 <b>Shiunn Yang Ent.Co.Ltd.</b> TEL: 29089890 <REP> FAX: 29068849,29088679				SCALE	/		
				UNIT	mm	SIZE	A4
				SHEET		REV.	