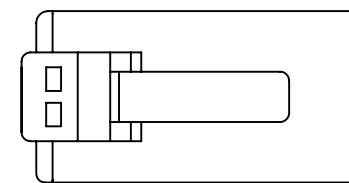
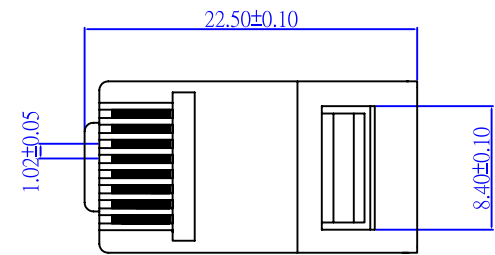
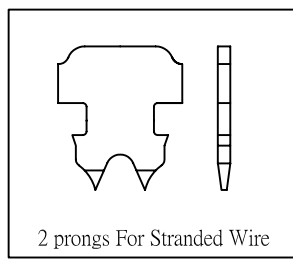
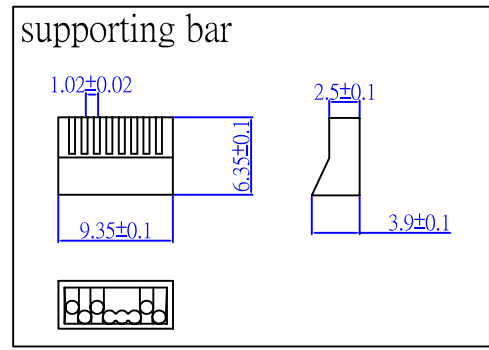
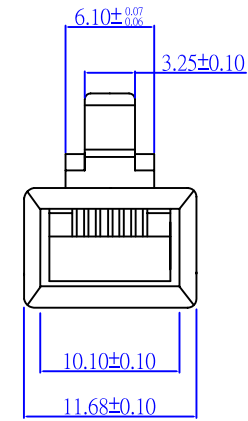
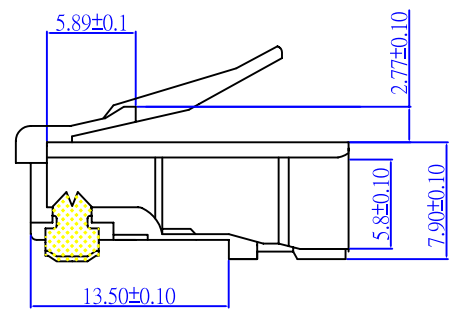
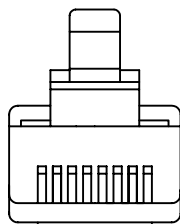
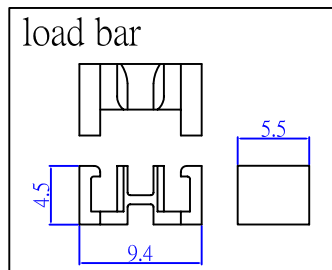


ROHS Compliant


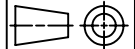
Date	2010/07/26
Revision	A



TOLERANCE	
.XXXX	----
.XXX	0.10
.XX	0.25
.X	0.38

P/NO. SY-RJ2-45-4

SPECIFICATIONS			
HOUSING	<input checked="" type="checkbox"/> PC UL94V-0 <input type="checkbox"/> PC UL94V-2	TYPE OF PLUG	<input type="checkbox"/> SHIELD <input checked="" type="checkbox"/> UNSHIELD
CONTACT	PHOSPHOR BRONZE FINE GOLD PLATED OVER NICKEL	COLD-PLATING	<input type="checkbox"/> 0.15U M/6U" MINIMUM <input type="checkbox"/> 0.38U M/15U" MINIMUM <input type="checkbox"/> 0.76U M/30U" MINIMUM <input checked="" type="checkbox"/> 1.27U M/50U" MINIMUM
Application	UTP Cat.6 stranded cable		

ITEM. MODULAR PLUG	CO. SY	S/N. SY-RJ2-45-4
DR. Breaker2010/07/26	APPD.	CHKD.
 Shium Yang Ent.Co.Ltd. TEL: 29089890 <REP> FAX: 29068849,29088679	SCALE /	
	UNIT mm	SIZE A4
	SHEET	REV.

REV.	DESCRIPTION	ENG.	APPROVAL
------	-------------	------	----------