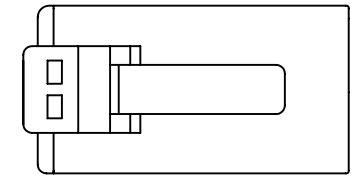
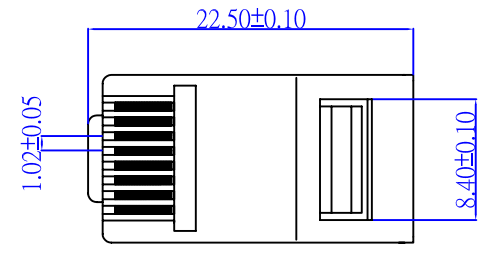
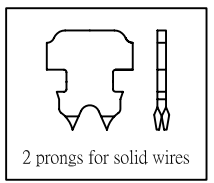
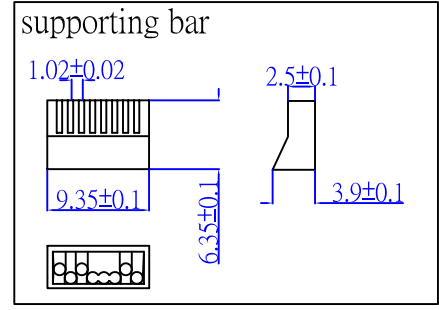
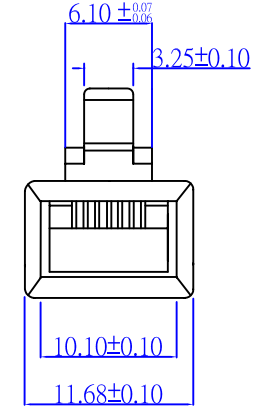
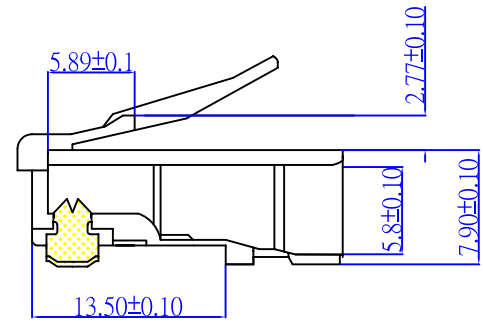
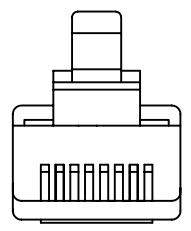
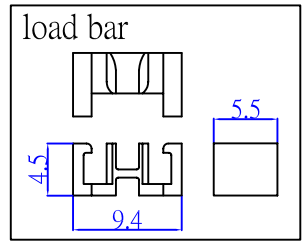


ROHS Compliant

Date	2010/07/23
Revision	A



TOLERANCE	
.XXXX	---
.XXX	0.10
.XX	0.25
.X	0.38

P/NO. SY-RJ2-45-3

SPECIFICATIONS			
HOUSING	<input checked="" type="checkbox"/> PC UL94V-0 <input type="checkbox"/> PC UL94V-2	TYPE OF PLUG	<input type="checkbox"/> SHIELD <input checked="" type="checkbox"/> UNSHIELD
CONTACT	PHOSPHOR BRONZE FINE GOLD PLATED OVER NICKEL	COLD-PLATING	<input type="checkbox"/> 0.15U M/6U" MINIMUM <input type="checkbox"/> 0.38U M/15U" MINIMUM <input type="checkbox"/> 0.76U M/30U" MINIMUM <input checked="" type="checkbox"/> 1.27U M/50U" MINIMUM
Application	UTP Cat.6 solid cable		
REV.	DESCRIPTION	ENG.	APPROVAL

TITLE MODULAR PLUG
DR. Breaker 2010/07/23

CO. SY
APPD.

FILE. SY-RJ2-45-3
CHKD.



Shiunn Yang Ent.Co.Ltd.
TEL: 29089890 <REP>
FAX: 29068849,29088679

SCALE /	
UNIT mm	SIZE A4
SHEET	REV.