

ROHS Compliant

Date	2009/04/13
Revision	A

A

B

C

D

E

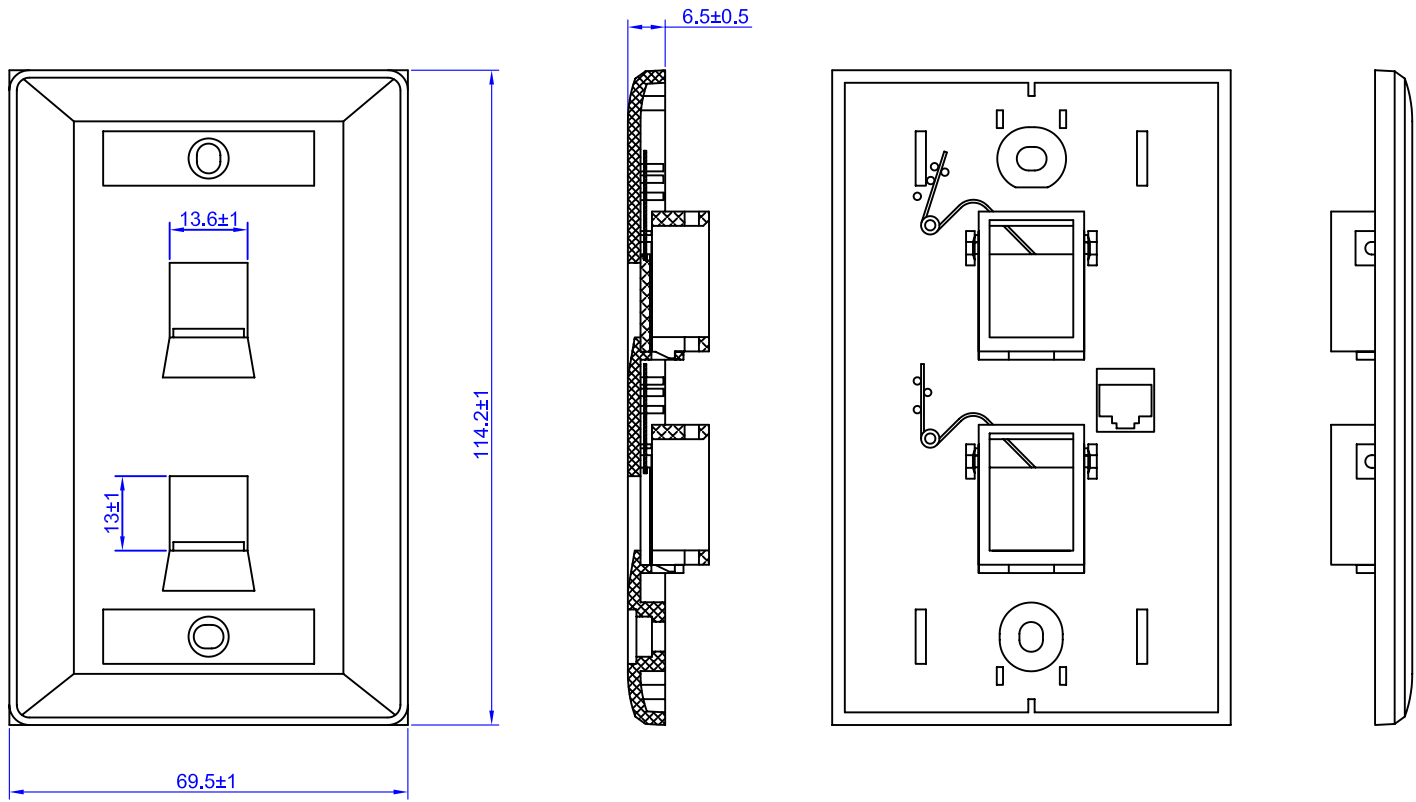
A

B

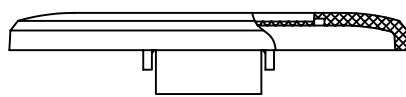
C

D

E



TOLERANCE	
. XXXX	----
. XXX	0.10
. XX	0.25
. X	0.38



P/NO. SY-R2

MATERIAL	
MATERIAL	ABS UL-94V-0
COLOR	<input type="checkbox"/> WHITE <input type="checkbox"/> IVORY
	<input type="checkbox"/> SCREW (3.5x20mm) x 2 <input type="checkbox"/> SCREW (3.5x25mm) x 2 <input checked="" type="checkbox"/> SCREW (6x25mm) x 2
	9000352000 90035025TP2
ENCLOSURE	<input type="checkbox"/> CLEAR COVER x2, WHITE PAPER(9.5x37mm) x2 <input type="checkbox"/> WHITE COVER <input type="checkbox"/> IVORY COVER

TITL. FACE PLATE	CO. SY	FILE. SY-R2
DR. Breaker2009/04/13	APPD.	CHKD.
	Shiunn Yang Ent.Co.Ltd.	
	TEL: 29089890 <REP>	
	FAX: 29068849,29088679	
SHEET	REV.	