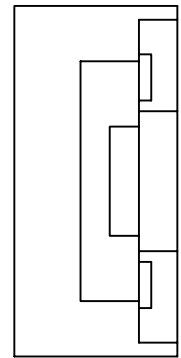
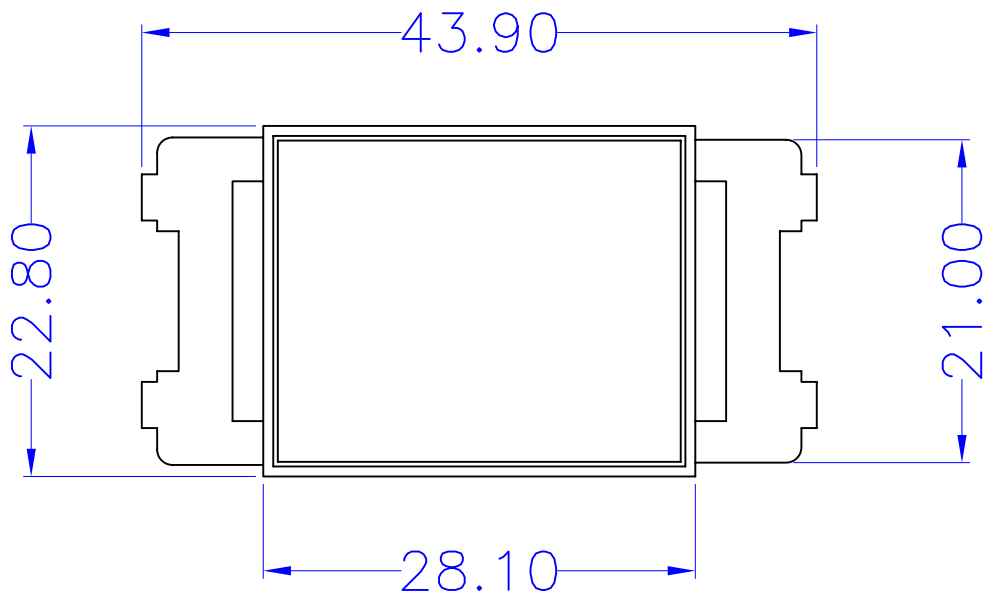
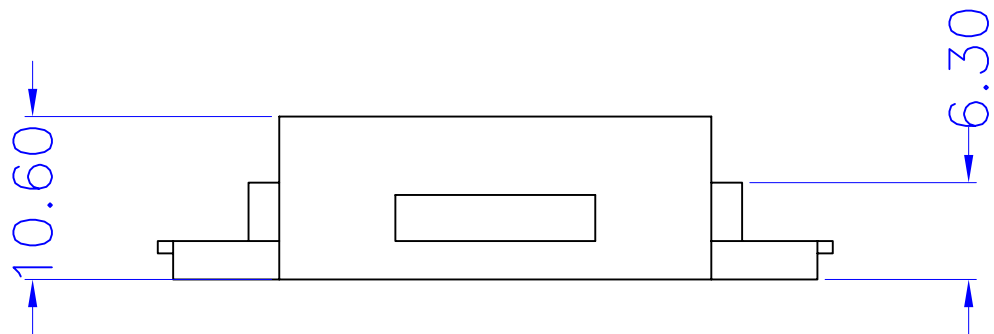


ROHS Compliant

Date 2009/03/17

Revision A



TOLERANCE	
.XXXX	----
.XXX	0.10
.XX	0.25
.X	0.38

P/NO. SY-NWT-O

TECHNICAL DATA

UL-94-V-0 fire-resistance ABS
 Snap-In module type : Blank
 Standard color : white

ITEM	CO. SY	FILE. SY-NWT-O
DR. Breaker2009/03/17	APPD.	CHKD.

Shiunn Yang Ent.Co.Ltd.
 TEL: 29089890 <REP>
 FAX: 29068849,29088679

SCALE /	
UNIT mm	SIZE A4
SHEET	REV.

REV.	DESCRIPTION	ENG.	APPROVAL