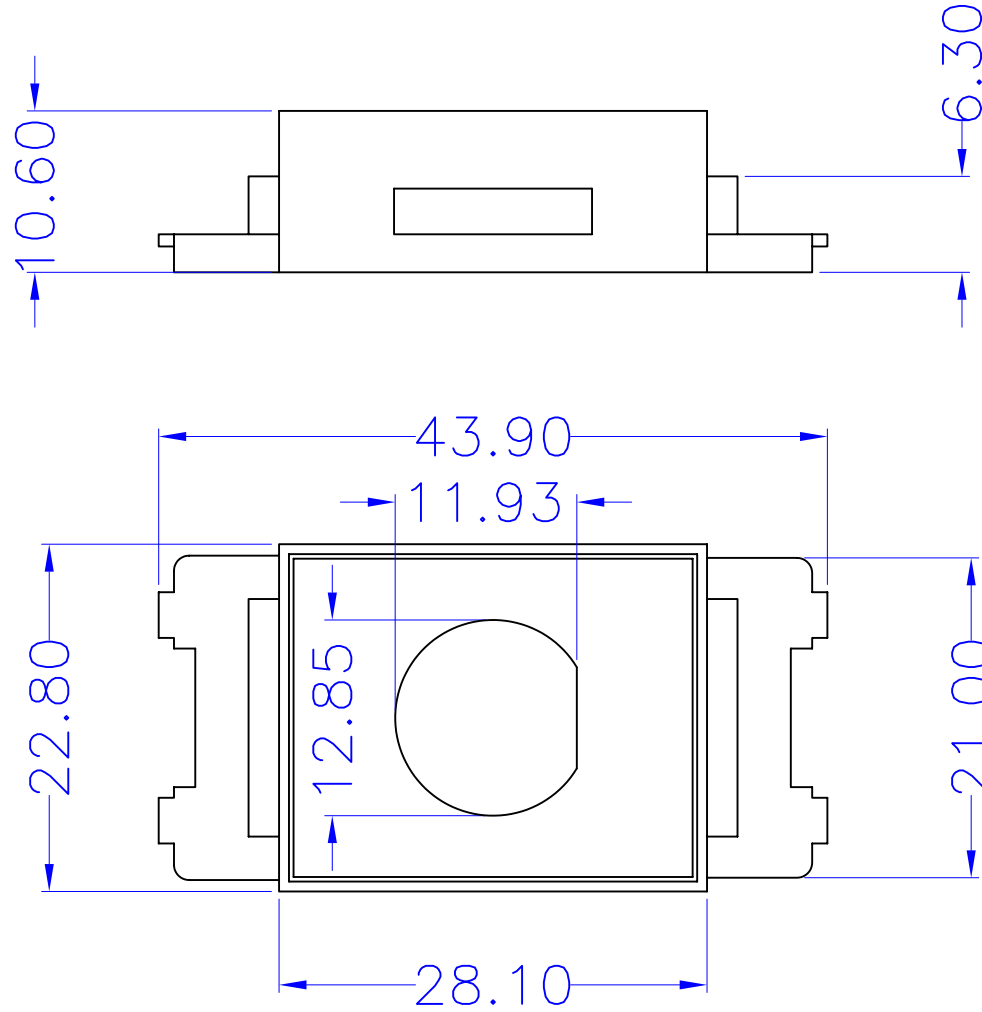


ROHS Compliant



Date	2009/03/17
Revision	A



TOLERANCE	
.XXXX	----
.XXX	0.10
.XX	0.25
.X	0.38

P/NO. SY-NWT-BNC

TECHNICAL DATA			
UL-94-V-0 fire-resistance ABS			
Snap-In module type : BNC			
Standard color : white			
REV.	DESCRIPTION	ENG.	APPROVAL

ITEM	CO. SY	FILE. SY-NWT-BNC
DR. Breaker2009/03/17	APPD.	CHKD.
 Shiunn Yang Ent.Co.Ltd. TEL: 29089890 <REP> FAX: 29068849,29088679	SCALE /	
	UNIT mm	SIZE A4
	SHEET	REV.