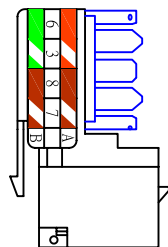


ROHS Compliant

Date	2009/07/17
Revision	A

UTP-90° 110 TYPE  
4 PAIRS KEYSTONE  
(SY-505)

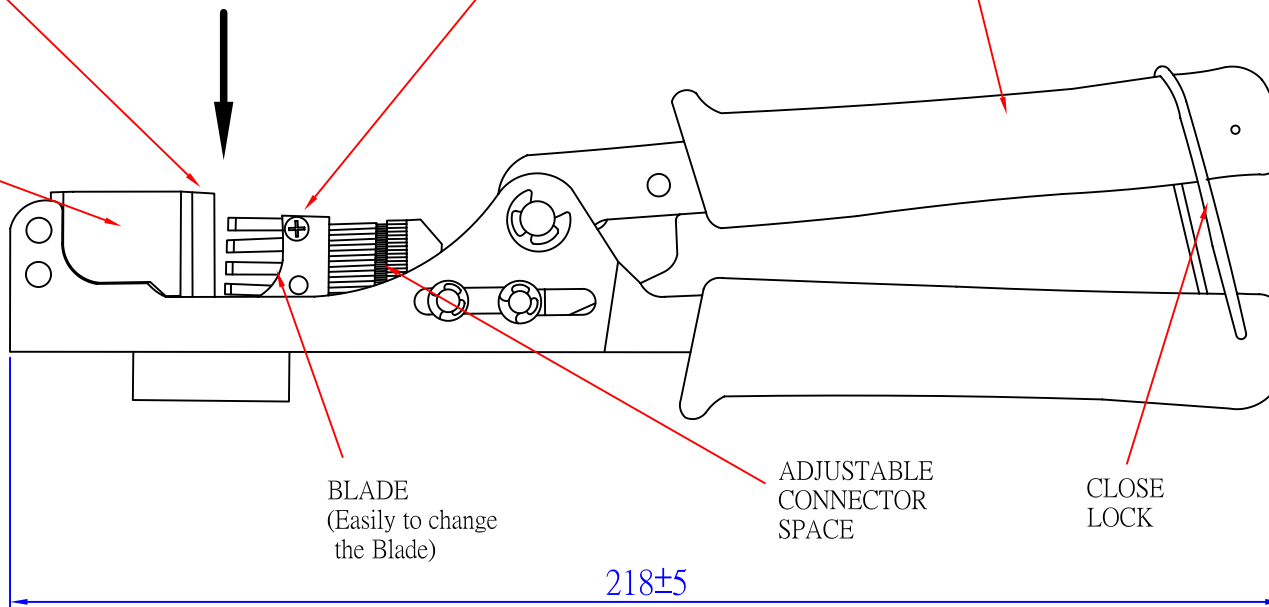
UTP-90° KEYSTONE  
(SY-505)



KEYSTONE  
SEAT

CHANGE BLADE  
SCREWS

PVC  
Cushions  
Handles



BLADE  
(Easily to change  
the Blade)

ADJUSTABLE  
CONNECTOR  
SPACE

CLOSE  
LOCK

218±5

MATERIAL

P/NO. SY-KTL-505-RE

LENGTH 218±5mm

WEIGHT 380g

MATERIAL Body Are Made Of Carbon Steel  
Blade Are Made Of Alloy Steel

FINISHED Block Oxide Finished

ITEM

CO. SY

S/N. SY-KTL-505-RE

DR. Breaker2009/07/17

APPD.

CHKD.



Shium Yang Ent.Co.Ltd.  
TEL: 29089890 <REP>  
FAX: 29068849,29088679

FILE. SY-KTL-505-RE

SCALE /

UNIT mm SIZE A4

REV.	DESCRIPTION	ENG.	APPROVAL
------	-------------	------	----------

1

2

3

4

5

6

7