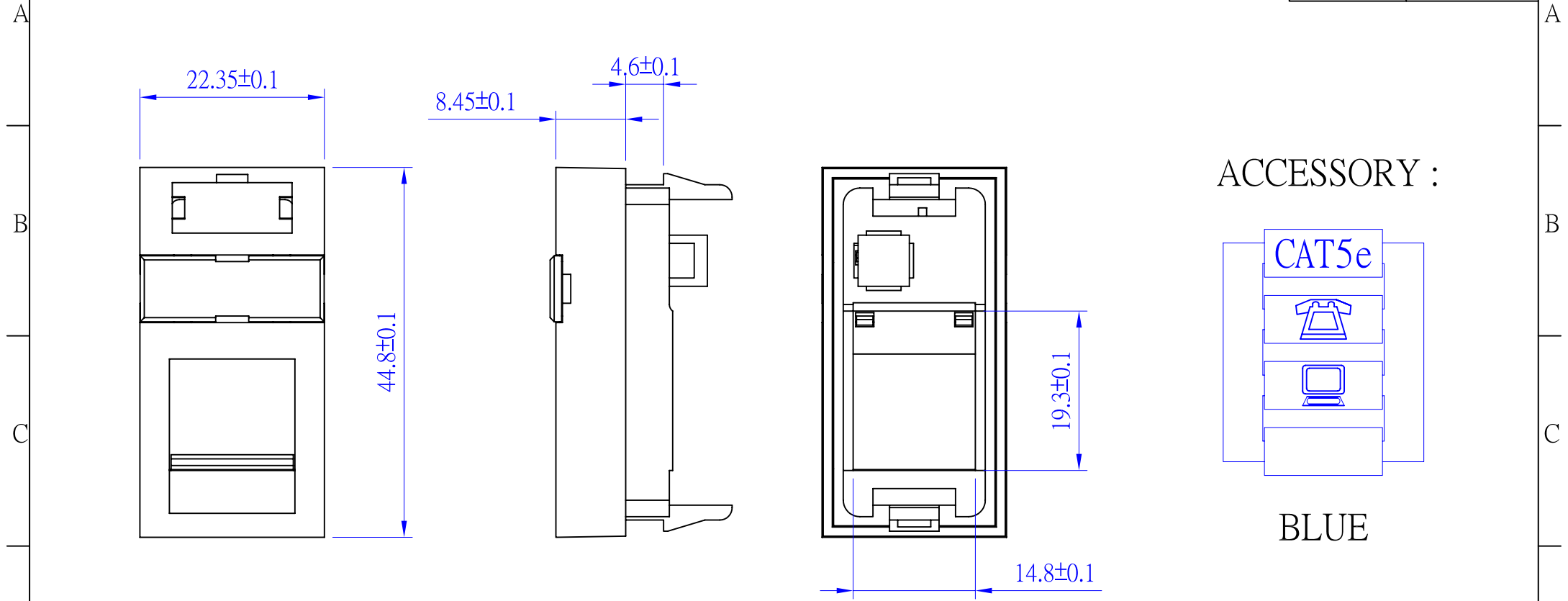
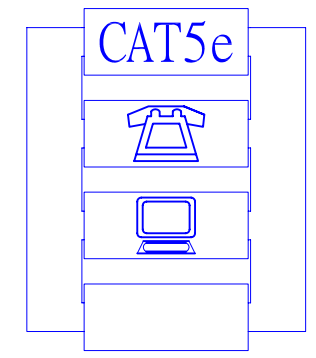


ROHS Compliant

Date	2010/04/21
Revision	A



ACCESSORY :


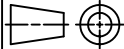


BLUE

TOLERANCE	
.XXXX	----
.XXX	0.10
.XX	0.25
.X	0.38

P/NO. SY-HM1

MATERIAL			
Apply UL-94V-0 high-impact, fire-retardant ABS material			
Compatible with BNC, ST, SC, Keystone, TV, and blank inserts for future expansion			
REV.	DESCRIPTION	ENG.	APPROVAL

TITLE. FACE PLATE	CO. SY	FILE. SY-HM1
DR. Breaker2010/04/21	APPD.	CHKD.
 Shiunn Yang Ent.Co.Ltd. TEL: 29089890 <REP> FAX: 29068849,29088679	SCALE /	
	UNIT mm	SIZE A4
	SHEET	REV.