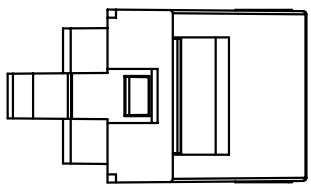
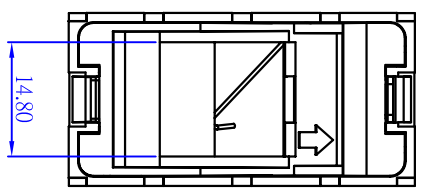
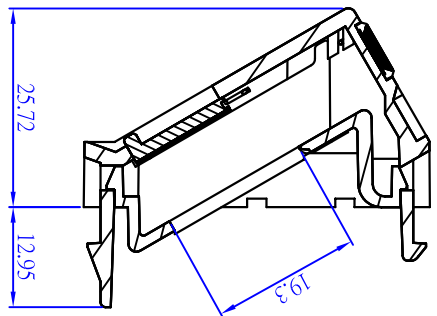
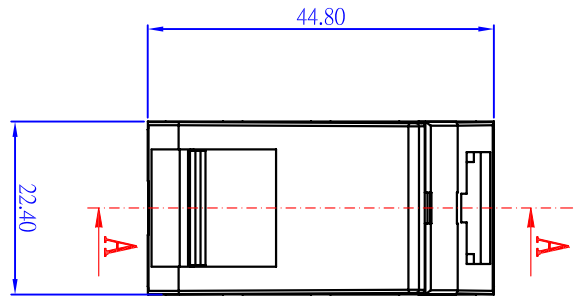


ROHS Compliant

Date	2011/02/25
Revision	A



TOLERANCE	
.XXXX	----
.XXX	0.10
.XX	0.25
.X	0.38

TECHNICAL DATA

HOUSING	ABS 94V-0
---------	-----------

TITLE	DR. Breaker2011/02/25
-------	-----------------------

CO.	SY
APPD.	

FILE.	SY-HAM1
CHKD.	

P/NO. SY-HAM1



Shiunn Yang Ent.Co.,Ltd.  
 TEL: 29089890 <REP>  
 FAX: 29068849,29088679

SCALE	1/1	
-------	-----	--

UNIT	mm	SIZE	A4
------	----	------	----

SHEET		REV.	
-------	--	------	--

REV.	1	DESCRIPTION	2	ENG.	3	APPROVAL	4
------	---	-------------	---	------	---	----------	---

TITLE	DR. Breaker2011/02/25	CO.	SY	FILE.	SY-HAM1
APPD.		CHKD.		SCALE	1/1
		UNIT	mm	SIZE	A4
		SHEET		REV.	